



**Model number**

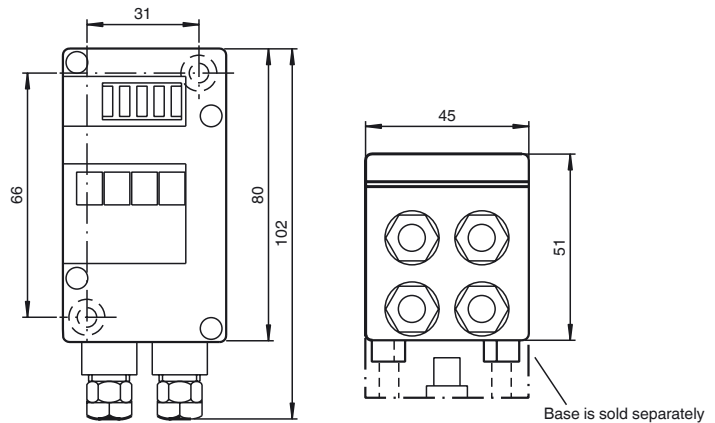
**VAA-4A-G4-E2**

G4 module IP67  
4 electronic outputs (PNP)

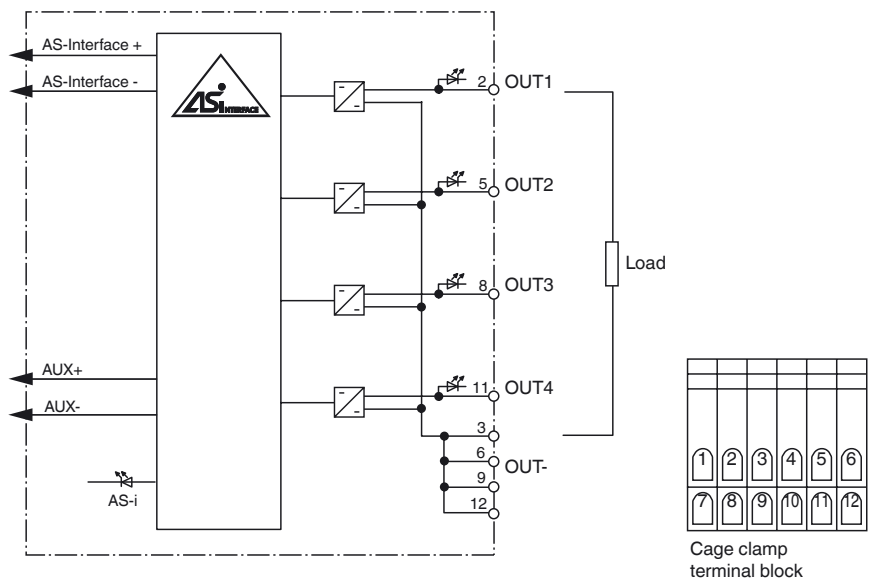
**Features**

- AS-Interface certificate
- Degree of protection IP67
- Flat or round cable connection (via standardized EEMS base, not included with delivery)
- Cable piercing method for flat cable
- Communication monitoring, turn-off
- Power supply of outputs from the external auxiliary voltage
- Function display for bus and outputs

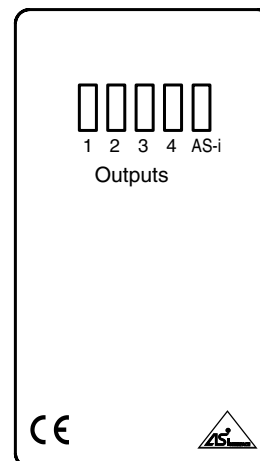
**Dimensions**



**Electrical connection**



**Indicating / Operating means**



Release date: 2019-01-09 10:19 Date of issue: 2019-01-09 050070\_eng.xml

Refer to "General Notes Relating to Pepperl+Fuchs Product Information".

Pepperl+Fuchs Group  
www.pepperl-fuchs.com

USA: +1 330 486 0001  
fa-info@us.pepperl-fuchs.com

Germany: +49 621 776 4411  
fa-info@de.pepperl-fuchs.com

Singapore: +65 6779 9091  
fa-info@sg.pepperl-fuchs.com

**Technical data****General specifications**

Slave type	Standard slave
UL File Number	E87056

**Indicators/operating means**

LED AS-i	AS-Interface voltage; LED green
LED OUT	Switching state (output); 4 LED yellow

**Electrical specifications**

Auxiliary voltage (output)	$U_{AUX}$	24 V DC $\pm$ 15 % PELV
Rated operating voltage	$U_e$	26.5 ... 31.6 V from AS-Interface
Rated operating current	$I_e$	$\leq$ 60 mA
Protection class		III

**Output**

Number/Type	4 electronic outputs, PNP
Supply	from external auxiliary voltage $U_{AUX}$
Current	1.5 A per output, 4 A total
Voltage	$\geq (U_{AUX} - 0.5 \text{ V})$

**Programming instructions**

Profile	S-8.0
IO code	8
ID code	0

Data bits (function via AS-Interface)	input	output
D0	-	OUT1
D1	-	OUT2
D2	-	OUT3
D3	-	OUT4

**Parameter bits (programmable via AS-i) function**

P0	communication monitoring P0 = 1 (default settings), monitoring = ON, i.e. if communication fails, the outputs are de-energised P0 = 0, monitoring = OFF, if communication fails, the outputs maintain their condition
P1	not used
P2	not used
P3	not used

**Ambient conditions**

Ambient temperature	-25 ... 60 °C (-13 ... 140 °F)
Storage temperature	-25 ... 85 °C (-13 ... 185 °F)

**Mechanical specifications**

Degree of protection	IP67 according to EN 60529
Connection	Insulation penetration technique or terminal compartment yellow flat cable/black flat cable or standard round cable Outputs: M12 x 1.5 cable gland and cage tension spring terminals
Mass	180 g
Mounting	DIN rail or screw mounting

**Function**

The VAA-4A-G4-E2 AS-Interface coupling module is a G4 module with 4 outputs. The sourcing outputs can be operated with a maximum of 24 V DC and 1.5 A per output (total load  $\leq$  4 A).

The IP67 rated G4 module is particularly suitable for rough conditions. Actuators attach to cable glands and cage-clamp terminals thus making the installation especially user-friendly. For pre-addressing the module it can be plugged directly onto the adapter of the hand-held programming device VBP-HH1.

The current switching state of each channel is indicated by LEDs located on the module's top side. In the case of communication errors on the bus, the outputs are de-energised via an integrated watchdog.

Both flat and round cables can be used for the AS-Interface transmission line and the external 24 V DC power supply. Use the U-G1FF base for the AS-Interface flat cable. The AS-Interface standardised EEMS interface, uses the cable piercing method to connect both the yellow and black flat cables. Use the U-G1PP base for the round cable. The AS-Interface cable as well as the external power supply may be connected within the U-G1PP base.

**Accessories****VBP-HH1-V3.0-KIT**

AS-Interface Handheld with accessory

**VBP-HH1**

Handheld programming device

**VAZ-G4-B**

Blind plug PG7

**VAZ-G4-B1**

Blind plug M12

**Matching system components****U-G1FF**

AS-Interface module mounting base for connection to flat cable (AS-Interface and external auxiliary power)

**U-G1FFA**

AS-Interface module mounting base with addressing jack for connection to flat cable (AS-Interface and external auxiliary power)

**U-G1PP**

AS-Interface module mounting base for connection to round cable (AS-Interface and external auxiliary power)