



Model number

U-G1PP

AS-Interface module mounting base for connection to round cable (AS-Interface and external auxiliary power)

Function

The base U-G1PP allows to connect slaves with additional supply (EEMS) to AS-Interface. It has one connection type to AS-Interface and an other to the auxiliary power, which are not interconnected. The cable bushings are designed for round cables, they can be connected by screw terminals.

Accessories

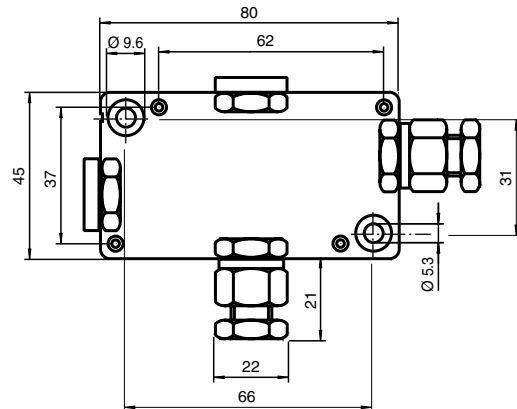
VAZ-DK-G1

Cover for bases -G1F- and -G1P-

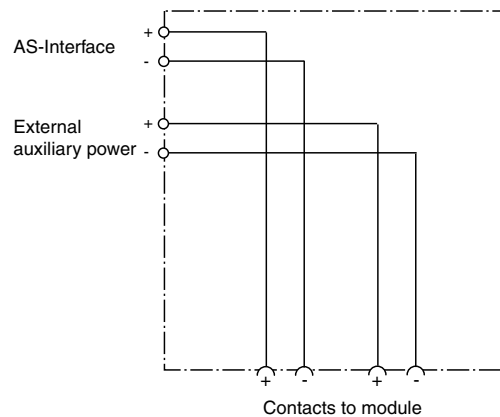
PG11-1/2NPT

Conduit adapter

Dimensions



Electrical connection



Technical data

General specifications

UL File Number	E198304
----------------	---------

Electrical specifications

Current loading capacity	≤ 5 A for max. 40 V
--------------------------	---------------------

Ambient conditions

Ambient temperature	-25 ... 60 °C (-13 ... 140 °F)
Storage temperature	-40 ... 85 °C (-40 ... 185 °F)

Mechanical specifications

Protection degree	IP67 according to EN 60529 (only in connection with module or cover)
Connection	PG11 round cable for AS-Interface and external power supply core cross-section ≤ 2.5 mm
Material	
Housing	PBT
Dimensions	about 80, 45, 34 mm (L, W, H)
Mounting	DIN rail or screw mounting

Matching system components**VAZ-TUNER**

Active bus terminal resistor

VBA-2E2A-G4-ZE/E2

G4 module IP67

2 inputs (PNP) and 2 electronic outputs

Matching system components**VBA-4E4A-G4-ZE/E2**

G4 module IP65

4 inputs (PNP) and 4 electronic outputs

VBA-4E3A-G4-ZE/E2

G4 module IP65

4 inputs (PNP) and 3 electronic outputs

VBA-2A-G4-U

G4 module IP65

2 analog outputs (voltage)

VBA-2A-G4-I

G4 module IP65

2 analog outputs (current)

VBA-2E-G4-U

G4 module IP65

2 analog inputs (voltage)

VBA-2E-G4-I

G4 module IP65

2 analog inputs (current)

VAA-2EA-G1-ZE/E2-LG

Logic module

2 inputs/2 outputs

VAA-4A-G4-E0

G4 module IP67

4 electronic outputs (NPN)

VAA-4A-G4-E2

G4 module IP67

4 electronic outputs (PNP)

VAA-2EA-G4-ZE0/E0

G4 PG module IP67

2 inputs (NPN) and 2 electronic outputs

VAA-2EA-G4-ZE/E2

G4 module IP67

2 inputs (PNP) and 2 electronic outputs

VAA-4E4A-G4-ZE/E2-IFM

G4 module IP65

4 inputs (PNP) and 4 electronic outputs

VAA-4E4A-G4-ZE/E2

G4 module IP65

4 inputs (PNP) and 4 electronic outputs

VAA-4E4A-G4-ZE/E2-Y909711

G4 module IP65

4 inputs (PNP) and 4 electronic outputs

VAA-4EA-G4-ZE/E2

G4 module IP65

4 inputs (PNP) and 4 electronic outputs

VAA-4A-G1-E2

Standard module IP67

4 electronic outputs

VAA-2EA-G1-ZE/E2

Standard module IP67

2 inputs (PNP) and 2 electronic outputs

VAN-G4-PE

AS-Interface power extender

VAN-G4-PE-4A

AS-Interface power extender

VAR-G4F

Release date: 2009-01-21 10:05 Date of issue: 2014-01-13 050087_eng.xml

Refer to "General Notes Relating to Pepperl+Fuchs Product Information".

Pepperl+Fuchs Group
www.pepperl-fuchs.comUSA: +1 330 486 0001
fa-info@us.pepperl-fuchs.comGermany: +49 621 776 4411
fa-info@de.pepperl-fuchs.comSingapore: +65 6779 9091
fa-info@sg.pepperl-fuchs.com

Matching system components

AS-Interface Advanced Repeater

VAR-G4F

AS-Interface repeater

VAA-4E2A-G1-ZE/PEXT-S

Pneumatic module

4 inputs/2 pneumatic outputs

VBA-4E2A-G1-ZE/PEXT-S

Pneumatic module

4 inputs/2 pneumatic outputs

VAA-2E-G4-SE

G4 module IP67

safety module with 2 inputs

VAA-2E-G4-SE-V1-IFM

AS-Interface safety module