

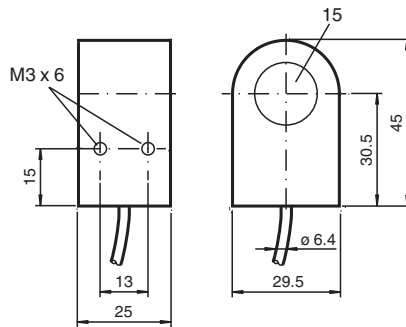
Inductive ring sensor

RJ15-N-Y52553

- 15 mm inside diameter



Dimensions



Technical Data

General specifications	
Switching function	Normally closed (NC)
Output type	NAMUR
Inside diameter	15 mm
Measuring cylinder	
Diameter	3 mm
Length	4 mm
Output type	2-wire
Nominal ratings	
Nominal voltage	U_o 8.2 V (R_i approx. 1 k Ω)
Operating voltage	U_B 5 ... 25 V
Switching frequency	f 0 ... 1500 Hz
Current consumption	
Measuring plate not detected	≥ 3 mA at nominal voltage
Measuring plate detected	≤ 1 mA at nominal voltage
Functional safety related parameters	
MTTF _d	9340 a
Mission Time (T_M)	20 a
Diagnostic Coverage (DC)	0 %
Compliance with standards and directives	
Standard conformity	
NAMUR	EN 60947-5-6:2000 IEC 60947-5-6:1999
Standards	EN 60947-5-2:2007 EN 60947-5-2/A1:2012 IEC 60947-5-2:2007 IEC 60947-5-2 AMD 1:2012
Approvals and certificates	
ATEX approval	

Release date: 2024-01-08 Date of issue: 2024-01-08 Filename: 052553_eng.pdf

Refer to "General Notes Relating to Pepperl+Fuchs Product Information".

Pepperl+Fuchs Group
www.pepperl-fuchs.com

USA: +1 330 486 0001
fa-info@us.pepperl-fuchs.com

Germany: +49 621 776 1111
fa-info@de.pepperl-fuchs.com

Singapore: +65 6779 9091
fa-info@sg.pepperl-fuchs.com

PEPPERL+FUCHS

Technical Data

Equipment protection level Gb	PTB 99 ATEX 2128 X	
FM approval		
Control drawing	116-0165	
UL approval	cULus Listed, General Purpose	
Ambient conditions		
Ambient temperature	-25 ... 70 °C (-13 ... 158 °F)	
Mechanical specifications		
Connection type	cable	
Housing material	PBT	
Degree of protection	IP67	
Cable		
Wire end ferrules	yes	
Cable diameter	4.8 mm ± 0.2 mm	
Bending radius	> 10 x cable diameter	
Material	PUR	
Color	black	
Number of cores	2	
Core cross section	0.34 mm ²	
Length	L	2 m
Dimensions		
Height	25 mm	
Width	29 mm	
Length	45 mm	
General information		
Use in the hazardous area	see instruction manuals	

Connection

