

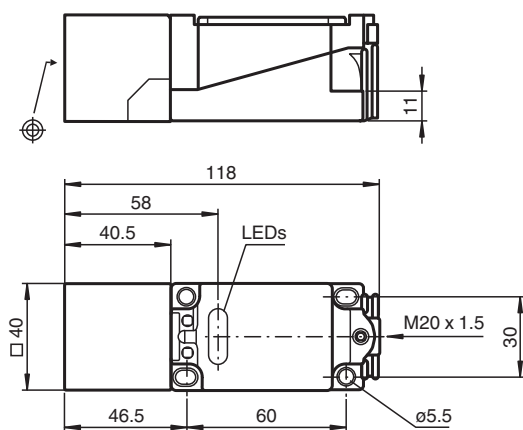


Inductive sensor NJ30+U1+A2-T

- 30 mm non-flush
- Extended temperature range



Dimensions



Technical Data

General specifications

| | | |
|----------------------------|-------|---------------|
| Switching function | | complementary |
| Output type | | PNP |
| Rated operating distance | s_n | 30 mm |
| Installation | | non-flush |
| Output polarity | | DC |
| Assured operating distance | s_a | 0 ... 24.3 mm |
| Reduction factor r_{Al} | | 0.4 |
| Reduction factor r_{Cu} | | 0.3 |
| Reduction factor r_{304} | | 0.85 |
| Output type | | 4-wire |

Nominal ratings

| | | |
|-----------------------------|-------|----------------------------|
| Operating voltage | U_B | 10 ... 60 V |
| Switching frequency | f | 0 ... 300 Hz |
| Hysteresis | H | typ. 3 % |
| Reverse polarity protection | | reverse polarity protected |
| Short-circuit protection | | pulsing |

Release date: 2020-12-10 Date of issue: 2020-12-10 Filename: 084808_eng.pdf

Refer to "General Notes Relating to Pepperl+Fuchs Product Information".

Pepperl+Fuchs Group
www.pepperl-fuchs.com

USA: +1 330 486 0001
fa-info@us.pepperl-fuchs.com

Germany: +49 621 776 1111
fa-info@de.pepperl-fuchs.com

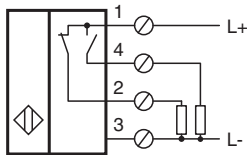
Singapore: +65 6779 9091
fa-info@sg.pepperl-fuchs.com

PF PEPPERL+FUCHS


Technical Data

| | | |
|-----------------------------------|-------|---|
| Voltage drop | U_d | $\leq 3 \text{ V}$ |
| Operating current | I_L | 0 ... 200 mA |
| No-load supply current | I_0 | $\leq 20 \text{ mA}$ |
| Time delay before availability | t_v | $\leq 20 \text{ ms}$ |
| Operating voltage indicator | | LED, green |
| Switching state indicator | | LED, yellow |
| Approvals and certificates | | |
| UL approval | | cULus Listed, General Purpose |
| CSA approval | | cCSAus Listed, General Purpose |
| CCC approval | | Certified by China Compulsory Certification (CCC) |
| Ambient conditions | | |
| Ambient temperature | | -25 ... 100 °C (-13 ... 212 °F) |
| Mechanical specifications | | |
| Connection type | | screw terminals |
| Core cross-section | | up to 2.5 mm ² |
| Housing material | | PBT |
| Sensing face | | PBT |
| Degree of protection | | IP68 |

Connection



Accessories

| | | |
|---|---------------|--------------------------|
|  | MHW 01 | Modular mounting bracket |
|---|---------------|--------------------------|