



Model Number

NBN3-F25F-Z8-V1

Features

- For installation in housing
- Direct mounting on standard actuators

Accessories

BT32

Activator for F25 series

BT32XS

Activator for F25 series

BT32XAS

Activator for F25 series

BT33

Activator for F25 series

BT34

Activator for F25 series

V1-G

Female connector, M12, 4-pin, field attachable

V1-W

Female connector, M12, 4-pin, field attachable

V1-W-2M-PUR

Female cordset, M12, 4-pin, PUR cable

V1-G-2M-PUR

Female cordset, M12, 4-pin, PUR cable

Technical Data

General specifications

Switching element function		Dual (NO)
Rated operating distance	s_n	3 mm
Installation		flush mountable
Output polarity		DC
Assured operating distance	s_a	0 ... 2.43 mm
Actual operating distance	s_r	2.7 ... 3.3 mm typ.
Reduction factor r_{AI}		0.5
Reduction factor r_{Cu}		1
Reduction factor r_{304}		1
Reduction factor r_{S37}		1.1

Nominal ratings

Operating voltage	U_B	6 ... 60 V DC
Switching frequency	f	0 ... 500 Hz
Hysteresis	H	typ. %
Reverse polarity protection		reverse polarity tolerant
Short-circuit protection		no
Voltage drop	U_d	≤ 5 V
Voltage drop at I_L		
Voltage drop $I_L = 10$ mA, switching element 0.8 ... 4.8 V typ. 3.8 V on U_d		

Operating current	I_L	4 ... 100 mA
Lowest operating current	I_m	4 mA
Off-state current	I_r	0 ... 1 mA typ. 0.7 mA
Time delay before availability	t_v	≤ 1 ms
Switching state indicator		LED, yellow

Limit data

Tightening torque, fastening screws	0.4 Nm
-------------------------------------	--------

Ambient conditions

Ambient temperature	-25 ... 70 °C (-13 ... 158 °F)
---------------------	--------------------------------

Mechanical specifications

Connection type	Connector M12 x 1, 4-pin
Housing material	PBT
Sensing face	PBT
Degree of protection	IP67
Tightening torque, fastening screws	M5 x 25 : 2.7 Nm
Note	Installation in housing

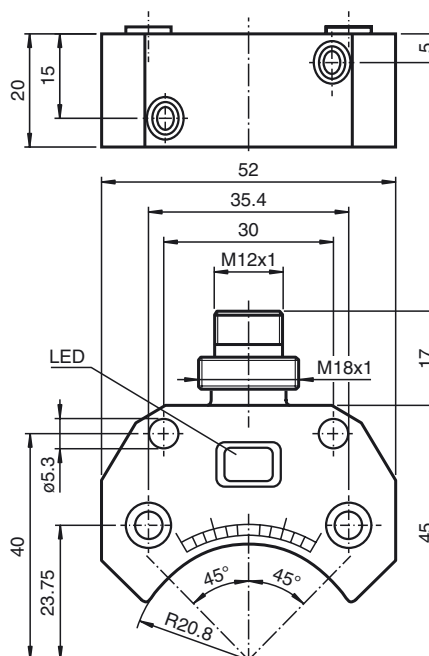
Compliance with standards and directives

Standard conformity	
Standards	EN 60947-5-2:2007 IEC 60947-5-2:2007

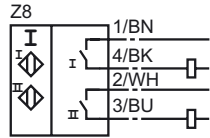
Approvals and certificates

UL approval	cULus Listed, General Purpose
CSA approval	cCSAus Listed, General Purpose

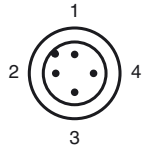
Dimensions



Electrical Connection



Pinout



Wire colors in accordance with EN 60947-5-2

1	BN	(brown)
2	WH	(white)
3	BU	(blue)
4	BK	(black)