

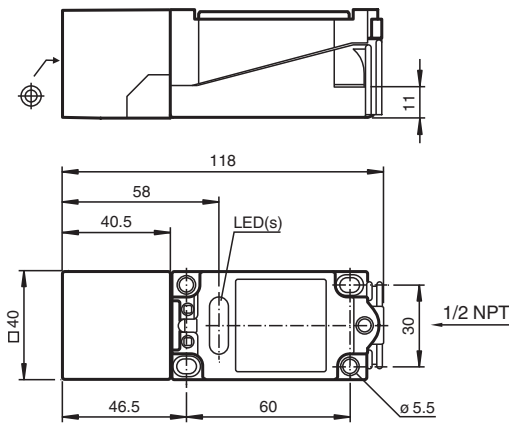
# Inductive sensor NCN30+U4+U



- Comfort series
- 30 mm non-flush
- 2-wire AC/DC



## Dimensions



## Technical Data

### General specifications

Switching function		Normally open/closed (NO/NC)
Rated operating distance	$s_n$	30 mm
Installation		non-flush
Output polarity		AC/DC
Assured operating distance	$s_a$	0 ... 24.3 mm
Reduction factor $r_{Al}$		0.45
Reduction factor $r_{Cu}$		0.42
Reduction factor $r_{304}$		0.79
Output type		2-wire

### Nominal ratings

Operating voltage DC	$U_B$	20 ... 300 V
Operating voltage AC	$U_B$	20 ... 253 V
Switching frequency	$f$	0 ... 25 Hz
Hysteresis	$H$	typ. 3 %
Short-circuit protection		pulsing
Voltage drop	$U_d$	$\leq 4$ V

Release date: 2020-12-10 Date of issue: 2020-12-10 Filename: 086262\_eng.pdf

Refer to "General Notes Relating to Pepperl+Fuchs Product Information".

Pepperl+Fuchs Group  
www.pepperl-fuchs.com

USA: +1 330 486 0001  
fa-info@us.pepperl-fuchs.com

Germany: +49 621 776 1111  
fa-info@de.pepperl-fuchs.com

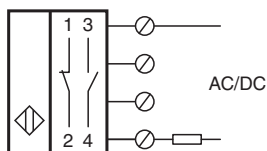
Singapore: +65 6779 9091  
fa-info@sg.pepperl-fuchs.com

**PF** PEPPERL+FUCHS

## Technical Data

Momentary current (20 ms, 0.1 Hz)	0 ... 3000 mA	
Operating current	$I_L$	5 ... 500 mA
Off-state current	$I_r$	0 ... 2.5 mA typ. 1.5 mA
Time delay before availability	$t_v$	≤ 100 ms
Operating voltage indicator	LED, green	
Switching state indicator	LED, yellow	
<b>Compliance with standards and directives</b>		
Standard conformity		
Standards	EN 60947-5-2:2007 IEC 60947-5-2:2007	
<b>Approvals and certificates</b>		
UL approval	cULus Listed, General Purpose	
CSA approval	cCSAus Listed, General Purpose	
CCC approval	Certified by China Compulsory Certification (CCC)	
<b>Ambient conditions</b>		
Ambient temperature	-25 ... 70 °C (-13 ... 158 °F)	
<b>Mechanical specifications</b>		
Connection type	screw terminals	
Information for connection	A maximum of two conductors with the same core cross section may be mounted on one terminal connection! tightening torque 1.2 Nm + 10 %	
Core cross-section	up to 2.5 mm <sup>2</sup>	
Minimum core cross-section	without wire end ferrule 0.5 mm <sup>2</sup> , with connector sleeves 0.34 mm <sup>2</sup>	
Maximum core cross-section	without wire end ferrule 2.5 mm <sup>2</sup> , with connector sleeves 1.5 mm <sup>2</sup>	
Housing material	PBT/metal	
Sensing face	PBT	
Degree of protection	IP68	

## Connection



## Accessories

	<b>V1-G-2M-PUR</b>	Female cordset single-ended M12 straight A-coded, 4-pin, PUR cable grey
	<b>MHW 01</b>	Modular mounting bracket
	<b>V1-M20-80</b>	Receptacles, M12/M20; plastic version
	<b>V1-W-2M-PUR</b>	Female cordset single-ended M12 angled A-coded, 4-pin, PUR cable grey