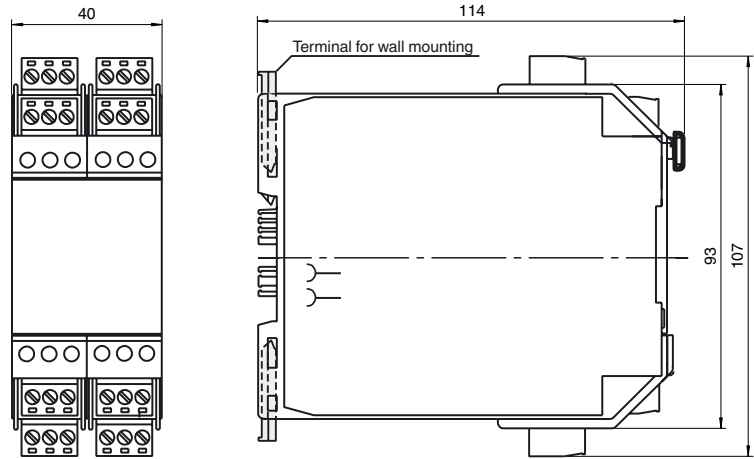




**Dimensions**



**Electrical connection**

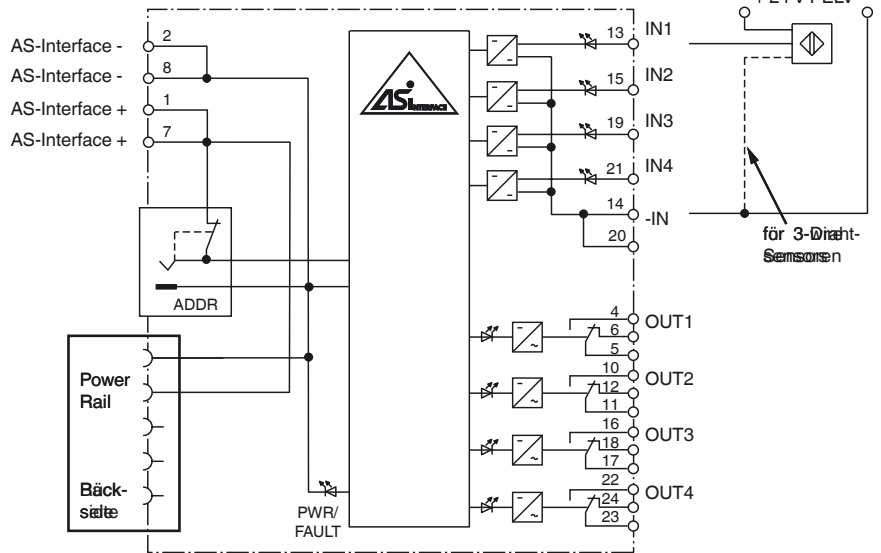
**Model number**

**VAA-4EA-KF-ZE/R**

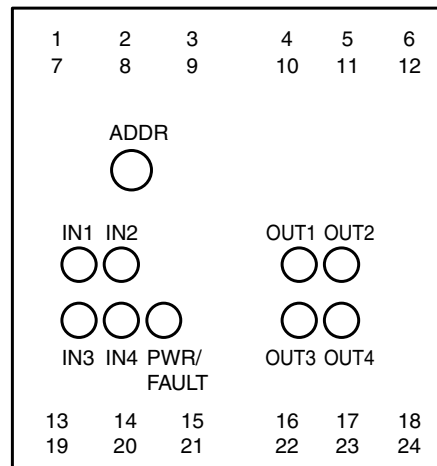
Cabinet module  
4 inputs (PNP) and 4 relay outputs

**Features**

- AS-Interface certificate
- Housing with removable, coded terminals
- AS-Interface connection via Power Rail
- Communication monitoring, turn-off
- Outputs loadable up to 8 A (per module)
- Addressing jack
- External power supply of sensors
- Function display for bus, inputs and outputs
- 4 potential-free switch-contacts



**Indicating / Operating means**



Release date: 2019-01-09 10:13 Date of issue: 2019-01-09 087524\_eng.xml

**Technical data****General specifications**

|                               |                |
|-------------------------------|----------------|
| Slave type                    | Standard slave |
| AS-Interface specification    | V2.0           |
| Required master specification | ≥ V2.0         |
| UL File Number                | E87056         |

**Indicators/operating means**

|               |  |
|---------------|--|
| LED PWR/FAULT | dual-LED green/red<br>green: AS-Interface voltage, normal operation<br>red: communication error or address 0 |
| LED IN        | switching state (input); 4 LED yellow  |
| LED OUT       | Switching state (output); 4 LED yellow   |

**Electrical specifications**

|                         |       |                                   |
|-------------------------|-------|-----------------------------------|
| Rated operating voltage | $U_e$ | 26.5 ... 31.6 V from AS-Interface |
| Rated operating current | $I_e$ | ≤ 110 mA                          |

**Input**

|                  |   |
|------------------|---|
| Number/Type      | 4 inputs for 2- or 3-wire sensors (PNP), DC |
| Supply           | external                                    |
| Switching point  |   |
| 0 (unattenuated) | ≤ 2 mA                                      |
| 1 (attenuated)   | ≥ 4 mA                                      |

**Output**

|                    |  |
|--------------------|--|
| Number/Type        | 4 relay outputs  |
| Galvanic isolation | AS-Interface - Outputs: Safe isolation according to EN 50178 (250 V AC)<br>Output - Output: Safe isolation according to EN 50178 (250 V AC)  |
| Contact loading    | 2 A/30 V DC per output<br>2 A/250 V AC per output  |
| Life span          | mechanical: 30 x 10 <sup>6</sup> switching cycles<br>electrical:<br>1 x 10 <sup>6</sup> operations (30 V DC, 2 A, ohmic)<br>5 x 10 <sup>6</sup> operations (250 V AC, 2 A, cosφ = 1)<br>4.5 x 10 <sup>6</sup> switching cycles (250 V AC, 2 A, cosφ = 0.7) |

**Programming instructions**

|         |       |
|---------|-------|
| Profile | S-7.F |
| IO code | 7     |
| ID code | F     |

| Data bits (function via AS-Interface) | input | output |
|---------------------------------------|-------|--------|
| D0                                    | IN1   | OUT1   |
| D1                                    | IN2   | OUT2   |
| D2                                    | IN3   | OUT3   |
| D3                                    | IN4   | OUT4   |

**Parameter bits (programmable via AS-i)**

| Parameter | function  |
|-----------|---|
| P0        | communication monitoring<br>P0 = 1 (default settings), monitoring = ON, i.e. if communication fails, the outputs are de-energised<br>P0 = 0, monitoring = OFF, if communication fails, the outputs maintain their condition |
| P1        | not used  |
| P2        | not used  |
| P3        | not used  |

**Ambient conditions**

|                     |                                |
|---------------------|--------------------------------|
| Ambient temperature | -25 ... 70 °C (-13 ... 158 °F) |
| Storage temperature | -25 ... 85 °C (-13 ... 185 °F) |

**Mechanical specifications**

|                      |                                       |
|----------------------|---------------------------------------|
| Degree of protection | IP20                                  |
| Connection           | removable coded terminals, Power Rail |
| Mass                 | 170 g                                 |
| Mounting             | DIN mounting rail                     |

**Compliance with standards and directives**

|                      |          |
|----------------------|----------|
| Standard conformity  |          |
| Degree of protection | EN 60529 |

**Function**

The VAA-4EA-KF-ZE/R AS-Interface coupling module is a cabinet module with 4 inputs and 4 relay outputs. Its design, only 40 mm wide, occupies little space in a cabinet installation. The VAA-4EA-KF-ZE/R is installed by snapping it onto the 35 mm DIN Rail per EN 50022, with the integrated Power Rail.

When an AS-Interface master/gateway is used in the cabinet housing, the AS-Interface signal is automatically transmitted via the Power Rail. The connection of the module to the AS-Interface cable is accomplished by simply snapping it onto the DIN Rail.

The plug-in coded terminals of the inputs and outputs allow "online" maintenance, i. e. while the system is under power. The terminals are coded to prevent incorrect connections.

If a master/gateway other than the one in the cabinet housing is used, the connection to the AS-Interface cable is established via the same terminals. Once the AS-Interface cable has been connected to the terminals, the AS-Interface signal is automatically transferred to the Power Rail.

Power to the module is supplied by the AS-Interface cable and the inputs and outputs are powered externally (see connection diagram). A programming jack is available for address configuration.

**Note:**

The outputs are de-energised by means of an integrated watchdog, whenever communication on the AS-Interface cable is interrupted for more than 80 ms. The watchdog can be disabled by the parameter bit P0.

**Accessories****VBP-HH1-V3.0-KIT**

AS-Interface Handheld with accessory

**VBP-HH1**

Handheld programming device

**UPR-05**

Universal Power Rail with end caps and cover, 5 conductors, length: 2 m

**VAZ-PK-1,5M-V1-G**

Adapter cable module/hand-held programming device