



Model number

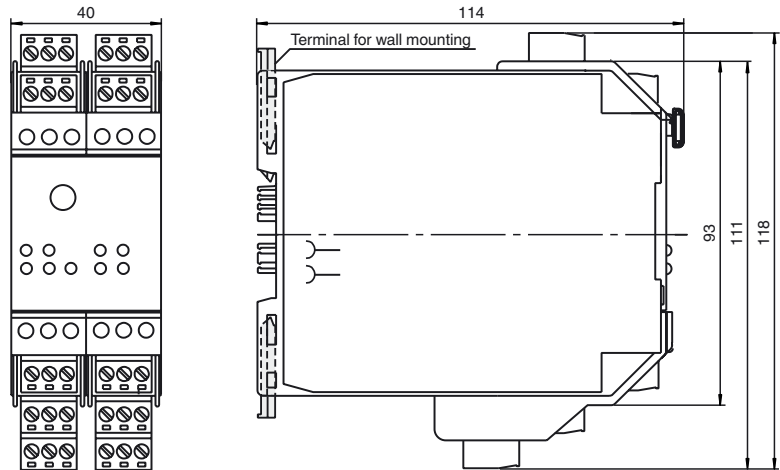
VAA-4EA-KF2-ZE/E2

Cabinet module
4 inputs (PNP) and 4 electronic outputs

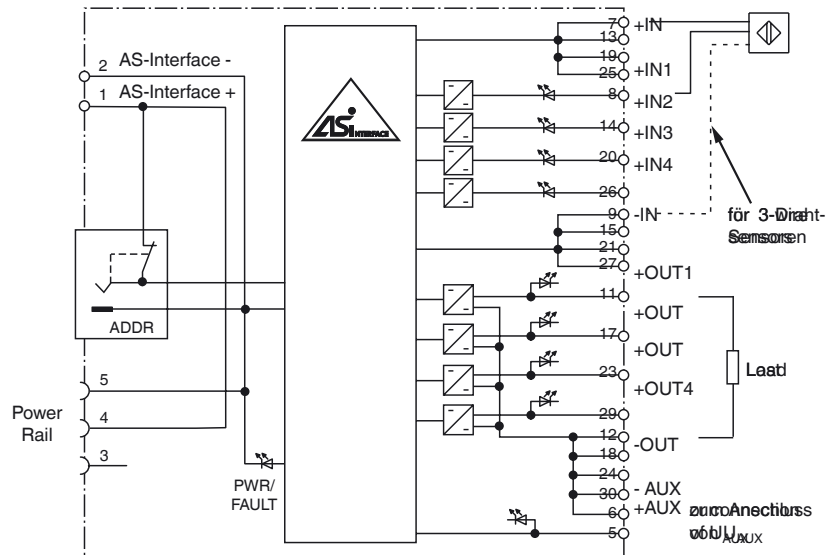
Features

- Housing with removable, coded terminals
- AS-Interface connection via Power Rail
- Communication monitoring, turn-off
- Outputs loadable up to 8 A (per module)
- Inputs for 2- and 3-wire sensors
- Addressing jack
- Power supply of outputs from the external auxiliary voltage
- Power supply of inputs from the module
- Function display for bus, ext. auxiliary voltage, inputs and outputs

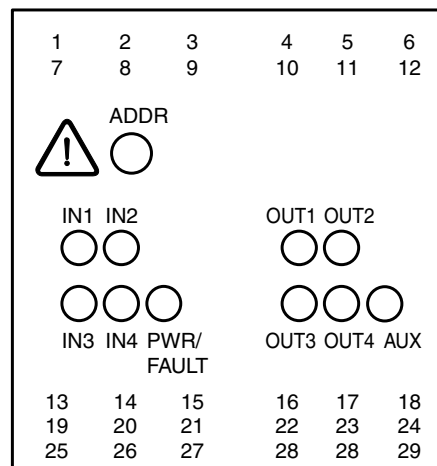
Dimensions



Electrical connection



Indicating / Operating means



Release date: 2019-08-23 12:49 Date of issue: 2019-08-23 087526_eng.xml

Technical data**General specifications**

Slave type	Standard slave
AS-Interface specification	V2.0
Required master specification	≥ V2.0
UL File Number	E106378

Indicators/operating means

LED PWR/FAULT	dual LED green/red green: AS-Interface voltage red: communication error or address 0 green/red flashing: overload sensor supply
LED AUX	ext. auxiliary voltage U_{AUX} ; LED green
LED IN	switching state (input); 4 LED yellow
LED OUT	Switching state (output); 4 LED yellow

Electrical specifications

Auxiliary voltage (output)	U_{AUX}	20 ... 30 V DC PELV
Rated operating voltage	U_e	26.5 ... 31.6 V from AS-Interface
Rated operating current	I_e	≤ 50 mA (without sensors) / max. 200 mA
Protection class		III

Input

Number/Type	4 inputs for 2- or 3-wire sensors (PNP), DC
Supply	from AS-Interface
Voltage	21 ... 31 V DC
Current loading capacity	≤ 150 mA, short-circuit protected
Switching point	
0 (unattenuated)	≤ 2 mA
1 (attenuated)	≥ 4 mA

Output

Number/Type	4 electronic outputs, PNP
Supply	from external auxiliary voltage U_{AUX}
Voltage	≥ ($U_{AUX} - 0.5$ V)
Current	2 A per output, 8 A per module

Programming instructions

Profile	S-7.F
IO code	7
ID code	F

Data bits (function via AS-Interface)	input	output
D0	IN1	OUT1
D1	IN2	OUT2
D2	IN3	OUT3
D3	IN4	OUT4

Parameter bits (programmable via AS-i) function

P0	communication monitoring P0 = 1 (default settings), monitoring = ON, i.e. if communication fails, the outputs are de-energised P0 = 0, monitoring = OFF, if communication fails, the outputs maintain their condition
P1	not used
P2	not used
P3	not used

Ambient conditions

Ambient temperature	-25 ... 70 °C (-13 ... 158 °F)
Storage temperature	-25 ... 85 °C (-13 ... 185 °F)

Mechanical specifications

Degree of protection	IP20
Connection	removable coded terminals, Power Rail
Mass	170 g
Mounting	DIN mounting rail

Compliance with standards and directives

Directive conformity	observe notices on the certificate of conformity.
Standard conformity	
Noise immunity	EN 61000-6-2:2001
Emitted interference	EN 61000-6-4:2001
AS-Interface	EN 50295:1999
Input	EN 61131-2
Degree of protection	EN 60529

Function

The VAA-4EA-KF2-ZE/E2 AS-Interface coupling module is a cabinet module with 4 inputs and 4 electronic outputs. The VAA-4EA-KF2-ZE/E2 is installed by snapping it onto the 35 mm DIN Rail per EN 50022, with the integrated Power Rail.

When an AS-Interface master/gateway is used in the cabinet housing, the AS-Interface signal is automatically transmitted via the Power Rail. The connection of the module to the AS-Interface cable is accomplished by simply snapping it onto the DIN Rail.

The plug-in coded terminals of the inputs and outputs allow "online" maintenance, i. e. while the system is under power. The terminals are coded to prevent incorrect connections.

If a master/gateway other than the one in the cabinet housing is used, the connection to the AS-Interface cable is established via the same terminals. Once the AS-Interface cable has been connected to the terminals, the AS-Interface signal is automatically transferred to the Power Rail.

Power to the module and to the inputs is supplied by the AS-Interface cable and the outputs are powered externally (see connection diagram). A programming jack is available for address configuration.

Note:

The outputs are de-energised by means of an integrated watchdog, whenever communication on the AS-Interface cable is interrupted for more than 80 ms. The watchdog can be disabled by the parameter bit P0.

If a short circuit occurs in the sensor supply, the AS-Interface master will indicate an error and the module will disconnect from the AS-Interface.

Accessories**VBP-HH1-V3.0-KIT**

AS-Interface Handheld with accessory

VBP-HH1-V3.0

AS-Interface Handheld

VAZ-PK-1,5M-V1-G

Adapter cable module/hand-held programming device

UPR-05

Universal Power Rail with end caps and cover, 5 conductors, length: 2 m