



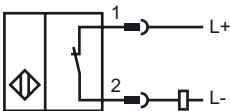
### Model Number

NBN30-L2-Z1-V1

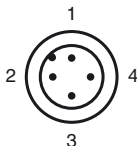
### Features

- Basic series
- 30 mm not embeddable

### Connection



### Pinout



Wire colors in accordance with EN 60947-5-2

1	BN
2	WH
3	BU
4	BK

### Accessories

#### V1-G

Non pre-wired cable socket

#### V1-W

Non pre-wired cable socket

#### V1-W-2M-PUR

Cable connector

#### V1-G-2M-PUR

Cable connector

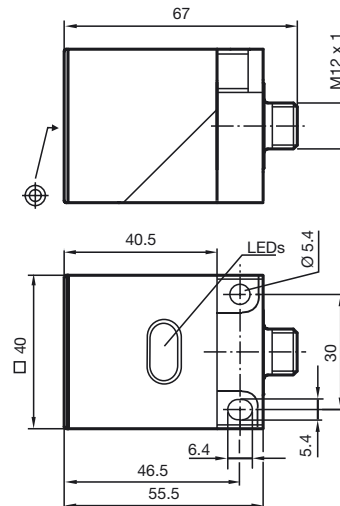
#### MHW 01

Mounting aid

#### MH 02-L

Mounting aid

### Dimensions



### Technical Data

#### General specifications

Switching element function		NC
Rated operating distance	$s_n$	30 mm
Installation		not embeddable
Output polarity		DC
Assured operating distance	$s_a$	0 ... 24.3 mm
Reduction factor $r_{AI}$		0.3
Reduction factor $r_{Cu}$		0.2
Reduction factor $r_{V2A}$		0.7

#### Nominal ratings

Operating voltage	$U_B$	5 ... 60 V
Switching frequency	$f$	0 ... 30 Hz
Reverse polarity protection		tolerant
Short-circuit protection		yes
Operating current	$I_L$	2 ... 200 mA
Off-state current	$I_r$	0 ... 0.5 mA typ.
Indication of the switching state		LED, yellow

#### Standard conformity

Standards	IEC / EN 60947-5-2:2004
-----------	-------------------------

#### Ambient conditions

Ambient temperature	-25 ... 70 °C (248 ... 343 K)
---------------------	-------------------------------

#### Mechanical specifications

Connection type	V1-connector
Housing material	PBT
Sensing face	PBT
Protection degree	IP67

#### Approvals and certificates

CCC approval	Certified by China Compulsory Certification (CCC)
--------------	---