

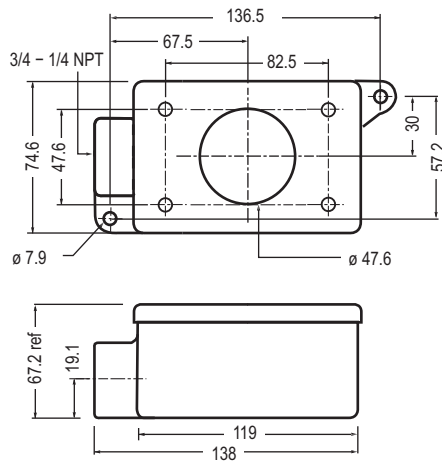
Palm Button Accessories

PB-FSBG-1H



one hub box

Dimensions



Technical Data

Mechanical specifications

Mounting hole pattern	7.9 mm
Material	metal

Release date: 2022-07-19 Date of issue: 2022-07-19 Filename: 091709_eng.pdf

Refer to "General Notes Relating to Pepperl+Fuchs Product Information".

Pepperl+Fuchs Group
www.pepperl-fuchs.com

USA: +1 330 486 0001
fa-info@us.pepperl-fuchs.com

Germany: +49 621 776 1111
fa-info@de.pepperl-fuchs.com

Singapore: +65 6779 9091
fa-info@sg.pepperl-fuchs.com

PF PEPPERL+FUCHS