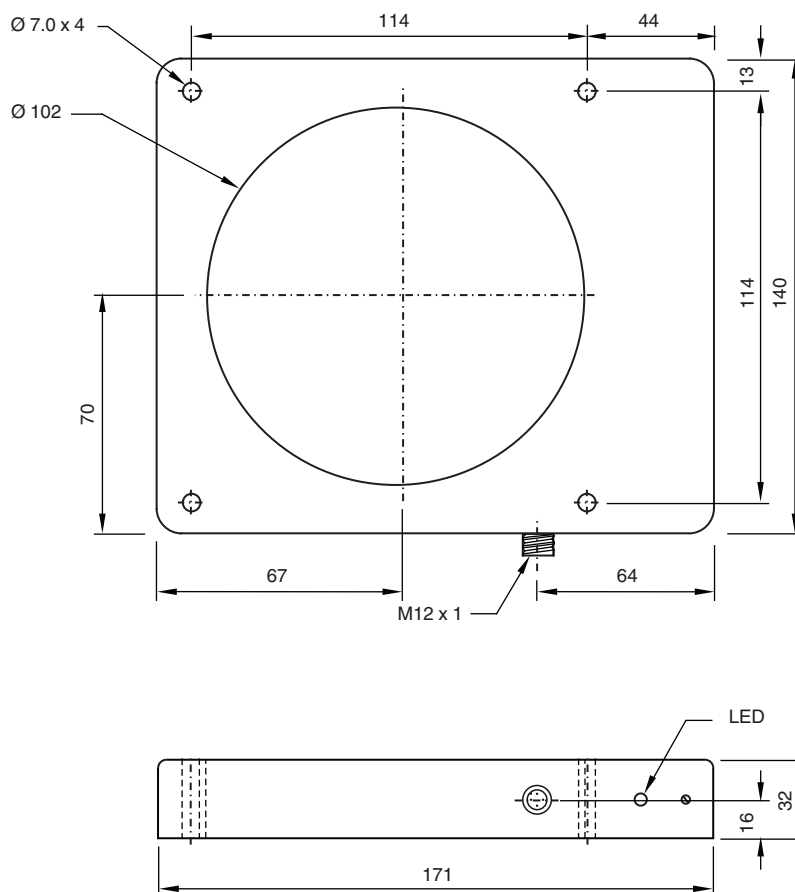


## Inductive ring sensor

### RJ100-E20-V1

- Ring diameter 100 mm
- 3-wire DC

## Dimensions



## Technical Data

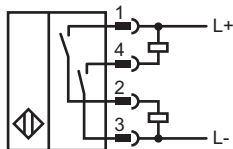
### General specifications

Switching function	Normally open (NO)
--------------------	--------------------

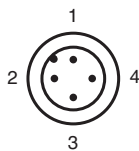
## Technical Data

Output type		PNP/NPN
Installation		non-flush
Output polarity		DC
Measuring cylinder		
Diameter		15 mm
Length		15 mm
Ring diameter		102 mm
<b>Nominal ratings</b>		
Operating voltage	$U_B$	10 ... 30 V DC
Switching frequency	$f$	0 ... 20 Hz
Reverse polarity protection		reverse polarity protected
Short-circuit protection		no
Voltage drop	$U_d$	< 1 V
Operating current	$I_L$	12 mA
Off-state current	$I_r$	2 $\mu$ A
Switching state indicator		LED, red
<b>Indicators/operating means</b>		
Potentiometer		sensitivity adjustment , 15 turns
<b>Output</b>		
Load current		100 mA ( NPN ) 50 mA ( PNP )
<b>Ambient conditions</b>		
Ambient temperature		-20 ... 55 °C (-4 ... 131 °F)
<b>Mechanical specifications</b>		
Connection type		4-pin micro connector ( M12 x 1 )
Housing material		ABS
Degree of protection		IP65

## Connection





## Connection Assignment



Wire colors in accordance with EN 60947-5-2

1	BN	(brown)
2	WH	(white)
3	BU	(blue)
4	BK	(black)

## Accessories

	<b>V1-G-2M-PVC</b>	Female cordset, M12, 4-pin, PVC cable
	<b>V1-G-5M-PVC</b>	Female cordset, M12, 4-pin, PVC cable

Release date: 2020-03-20 Date of issue: 2020-03-30 Filename: 094799\_eng.pdf

Refer to "General Notes Relating to Pepperl+Fuchs Product Information".

Pepperl+Fuchs Group  
www.pepperl-fuchs.com

USA: +1 330 486 0001  
fa-info@us.pepperl-fuchs.com

Germany: +49 621 776 1111  
fa-info@de.pepperl-fuchs.com

Singapore: +65 6779 9091  
fa-info@sg.pepperl-fuchs.com