

Counter

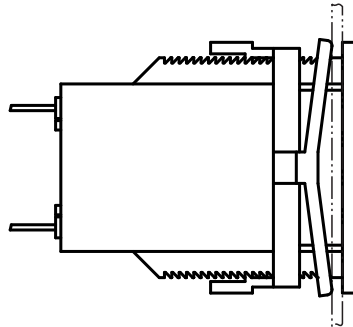
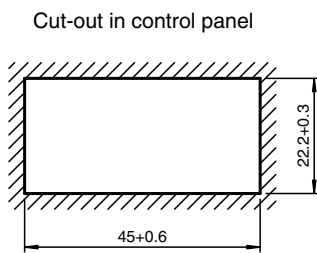
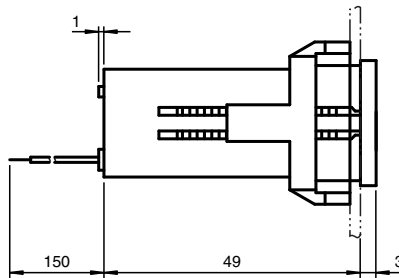
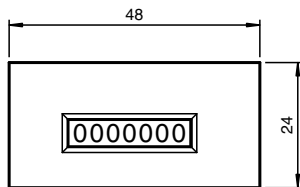
KCM-70-V



- Electromechanical summator
- 7 decade devices
- Counter frequency up to 25 Hz
- Without reset
- Power supply 230 V AC
- Fixing with latching spring or latch fastener for easy installation
- Degree of protection IP42 in accordance with DIN EN 60529 (front only)
- Shock resistance in accordance with DIN EN 60068-2-27
- Vibration resistance in accordance with DIN EN 60068-2-6



Dimensions



Technical Data

Indicators/operating means

Type	digital display
Number of digits	7
Display value	digit height 4 mm

Electrical specifications

Operating voltage	U_B	230 V AC
Power consumption	P_0	1.3 VA

Input

Pulse length/pulse interval	50 ms / 50 ms
Counting frequency	10 Hz

Release date: 2023-11-21 Date of issue: 2023-11-21 Filename: 097903_eng.pdf

Refer to "General Notes Relating to Pepperl+Fuchs Product Information".

Pepperl+Fuchs Group
www.pepperl-fuchs.com

USA: +1 330 486 0001
fa-info@us.pepperl-fuchs.com

Germany: +49 621 776 1111
fa-info@de.pepperl-fuchs.com

Singapore: +65 6779 9091
fa-info@sg.pepperl-fuchs.com

PEPPERL+FUCHS

Technical Data

Ambient conditions	
Ambient temperature	-10 ... 50 °C (14 ... 122 °F)
Storage temperature	-40 ... 90 °C (-40 ... 194 °F)
Relative humidity	≤ 80 % (noncondensing)
Mechanical specifications	
Connection	flexible leads AWG 22 150 mm long
Mass	50 g
Dimensions	48 mm x 24 mm x 54 mm
Mounting	latch fastener
Life span	> 50 x 10 ⁶ pulses

Connection

