

# Counter

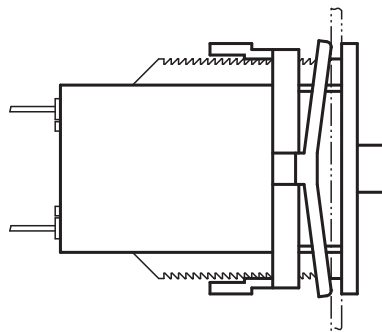
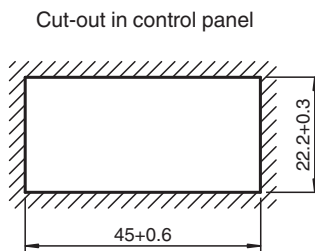
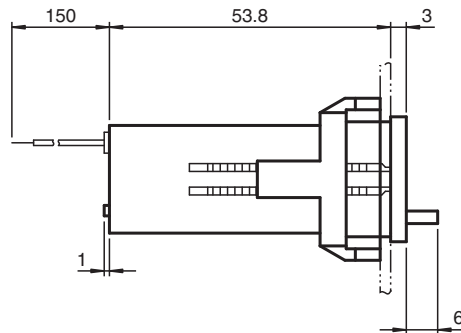
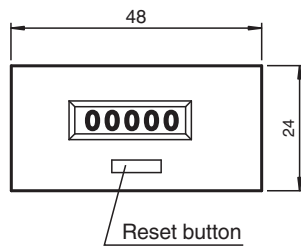
## KCM-51-V



- Electromechanical summator
- 5 decade devices
- Counter frequency 10 Hz
- Manual reset
- Power supply 230 V AC
- Fixing with latch fastener for easy installation
- Degree of protection IP42 in accordance with DIN EN 60529 (front only)
- Shock resistance in accordance with DIN EN 60068-2-27
- Vibration resistance in accordance with DIN EN 60068-2-6



### Dimensions



### Technical Data

#### Indicators/operating means

Type	digital display	
Number of digits	5	
Display value	digit height 4 mm	
Reset	manually	

#### Electrical specifications

Operating voltage	U <sub>B</sub>	230 V AC
Power consumption	P <sub>0</sub>	1.3 VA

#### Input

Pulse length/pulse interval	50 ms / 50 ms
-----------------------------	---------------

Release date: 2023-11-21 Date of issue: 2023-11-21 Filename: 097906\_eng.pdf

Refer to "General Notes Relating to Pepperl+Fuchs Product Information".

Pepperl+Fuchs Group  
www.pepperl-fuchs.com

USA: +1 330 486 0001  
fa-info@us.pepperl-fuchs.com

Germany: +49 621 776 1111  
fa-info@de.pepperl-fuchs.com

Singapore: +65 6779 9091  
fa-info@sg.pepperl-fuchs.com

**PF** PEPPERL+FUCHS

## Technical Data

Counting frequency	10 Hz
<b>Ambient conditions</b>	
Ambient temperature	-10 ... 50 °C (14 ... 122 °F)
Storage temperature	-40 ... 90 °C (-40 ... 194 °F)
Relative humidity	≤ 80 % (noncondensing)
<b>Mechanical specifications</b>	
Connection	flexible leads AWG 22 150 mm long
Mass	48 g
Dimensions	48 mm x 24 mm x 59 mm
Mounting	latch fastener
Life span	> 50 x 10 <sup>6</sup> pulses

## Connection

