

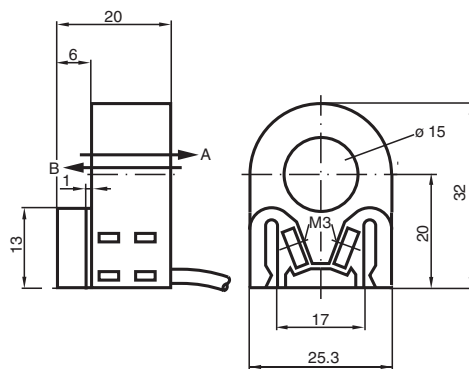
Inductive ring sensor

RB15-14-E2-BI-Y97927

- 15 mm inside diameter
- Basic series
- Bistable
- Direction detection



Dimensions



Technical Data

General specifications

Switching function	Normally open (NO)
Output type	PNP
Output polarity	DC
Inside diameter	15 mm
Measuring cone	6 mm
Material	1.4401
Passage speed	v ≤ 10 m/s
Output type	3-wire

Nominal ratings

Operating voltage	U_B	10 ... 30 V
Reverse polarity protection		reverse polarity protected
Short-circuit protection		pulsing
Output voltage		
Traverse A		1 V
Traverse B		$U_B - 3 V$
Power ON		1 V
Voltage drop	U_d	≤ 1.5 V
Operating current	I_L	0 ... 100 mA
No-load supply current	I_0	≤ 10 mA

Functional safety related parameters

MTTF _d	1449 a
Mission Time (T _M)	20 a
Diagnostic Coverage (DC)	0 %

Compliance with standards and directives

Release date: 2025-01-10 Date of issue: 2025-01-10 Filename: 097927_eng.pdf

Refer to "General Notes Relating to Pepperl+Fuchs Product Information".

Pepperl+Fuchs Group
www.pepperl-fuchs.com

USA: +1 330 486 0001
fa-info@us.pepperl-fuchs.com

Germany: +49 621 776 1111
fa-info@de.pepperl-fuchs.com

Singapore: +65 6779 9091
fa-info@sg.pepperl-fuchs.com

PF PEPPERL+FUCHS

Technical Data

Standard conformity		
Standards		EN IEC 60947-5-2
Approvals and certificates		
UL approval		cULus Listed, General Purpose
Ambient conditions		
Ambient temperature		-25 ... 70 °C (-13 ... 158 °F)
Mechanical specifications		
Connection type		cable
Housing material		PBT
Degree of protection		IP67
Cable		
Wire end ferrules		yes
Cable diameter		3 mm - 0.2 mm
Bending radius		> 12 x cable diameter
Material		PUR
Color		black
Number of cores		3
Core cross section		0.14 mm ²
Length	L	2 m
Dimensions		
Height		32.5 mm
Width		25 mm
Length		20 mm

Connection

