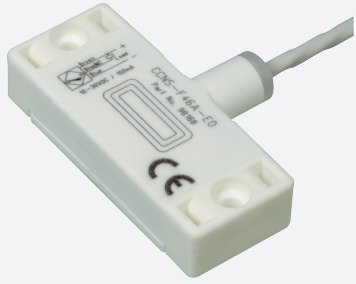


Capacitive sensor

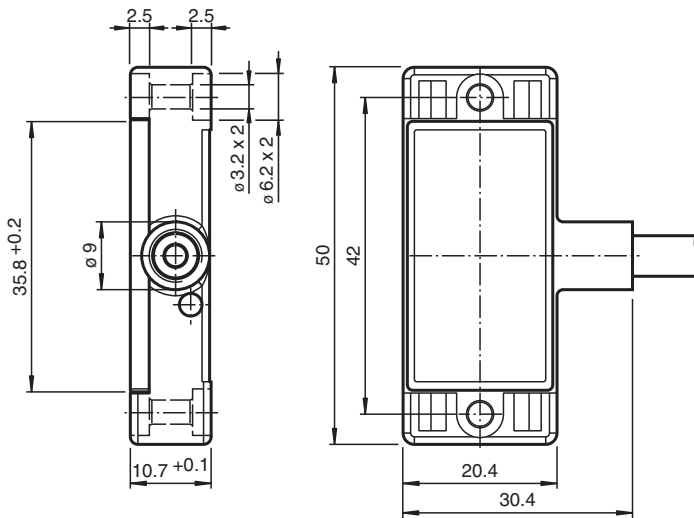
CCN5-F46A-E3



- 5 mm non-flush
- 3-wire DC
- Flat housing
- Chemically resistant PVDF housing
- Mounting slots for cable ties
- Degree of protection IP68
- Thru-holes for screw mounting



Dimensions



Technical Data

General specifications

Switching function		Normally closed (NC)
Output type		PNP
Rated operating distance	s_n	5 mm
Installation		non-flush
Output polarity		DC
Assured operating distance	s_a	0 ... 3.5 mm
Output type		3-wire

Nominal ratings

Installation conditions		
-------------------------	--	--

Release date: 2023-11-14 Date of issue: 2023-11-14 Filename: 103537_eng.pdf

Refer to "General Notes Relating to Pepperl+Fuchs Product Information".

Pepperl+Fuchs Group
www.pepperl-fuchs.com

USA: +1 330 486 0001
fa-info@us.pepperl-fuchs.com

Germany: +49 621 776 1111
fa-info@de.pepperl-fuchs.com

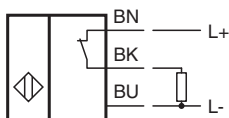
Singapore: +65 6779 9091
fa-info@sg.pepperl-fuchs.com

PF PEPPERL+FUCHS

Technical Data

B		0 mm
C		10 mm
F		20 mm / 50 mm
Operating voltage	U_B	10 ... 30 V DC
Switching frequency	f	0 ... 10 Hz
Hysteresis	H	1 ... 10 typ. 5 %
Reverse polarity protection		reverse polarity protected
Short-circuit protection		pulsing
Voltage drop	U_d	≤ 2 V
Operating current	I_L	0 ... 100 mA
Lowest operating current	I_m	0 mA
Off-state current	I_r	0 ... 0.5 mA typ. 0.01 mA
Off-state current $T_U = 40$ °C, switching element off		≤ 100 μ A
No-load supply current	I_0	≤ 15 mA
Time delay before availability	t_v	≤ 120 ms
Switching state indicator		LED, yellow
Functional safety related parameters		
MTTF _d		666 a
Mission Time (T_M)		20 a
Diagnostic Coverage (DC)		0 %
Compliance with standards and directives		
Standard conformity		
Standards		EN 60947-5-2:2007 EN 60947-5-2/A1:2012 IEC 60947-5-2:2007 IEC 60947-5-2 AMD 1:2012
Approvals and certificates		
UL approval		cULus Listed, General Purpose, Class 2 Power Source
CCC approval		CCC approval / marking not required for products rated ≤ 36 V
Ambient conditions		
Ambient temperature		-25 ... 70 °C (-13 ... 158 °F)
Storage temperature		-40 ... 85 °C (-40 ... 185 °F)
Mechanical specifications		
Connection type		cable FEP , 2 m
Core cross section		0.14 mm ²
Housing material		PVDF
Sensing face		PVDF
Degree of protection		IP68
Note		cable tensile strength 20 N

Connection Assignment



Installation Conditions



Release date: 2023-11-14 Date of issue: 2023-11-14 Filename: 103537_eng.pdf

Refer to "General Notes Relating to Pepperl+Fuchs Product Information".

Pepperl+Fuchs Group
www.pepperl-fuchs.com

USA: +1 330 486 0001
fa-info@us.pepperl-fuchs.com

Germany: +49 621 776 1111
fa-info@de.pepperl-fuchs.com

Singapore: +65 6779 9091
fa-info@sg.pepperl-fuchs.com