

Model Number

PL4-F25-N4-K

Features

- For installation in housing
- **PL4... with 2 valve connections**
- **Pluggable cage clamp terminals**
- **Valve LEDs disconnectable (wire jumper)**
- **EC-Type Examination Certificate TÜV99 ATEX 1479X**
- **Direct mounting on standard actuators**

Accessories

BT32

Activator for F25 series

BT32XS

Activator for F25 series

BT32XAS

Activator for F25 series

BT33

Activator for F25 series

BT34

Activator for F25 series

Technical Data

General specifications

Switching function		2 x normally closed (NC)
Output type		NAMUR
Rated operating distance	s_n	3 mm
Installation		flush mountable
Assured operating distance	s_a	0 ... 2.43 mm
Actual operating distance	s_r	2.7 ... 3.3 mm
Reduction factor r_{Al}		0.5
Reduction factor r_{Cu}		0.45
Reduction factor r_{304}		1
Reduction factor r_{St37}		1.2
Reduction factor r_{Brass}		0.63
Output type		2-wire

Nominal ratings

Nominal voltage	U_o	8.2 V
Operating voltage	U_B	5 ... 25 V
Switching frequency	f	0 ... 100 Hz
Hysteresis	H	typ. 5 %
Reverse polarity protection		reverse polarity protected
Short-circuit protection		yes
Suitable for 2:1 technology		yes, Reverse polarity protection diode not required
Current consumption		
Measuring plate not detected		≥ 3 mA
Measuring plate detected		≤ 1 mA
Time delay before availability	t_v	≤ 1 ms
Switching state indicator		LED, yellow
Valve status indicator		LED, yellow

Ambient conditions

Ambient temperature	-25 ... 100 °C (-13 ... 212 °F)
Storage temperature	-40 ... 100 °C (-40 ... 212 °F)

Mechanical specifications

Connection (system side)	Cage tension spring terminals
Core cross-section (system side)	up to 2.5 mm ²
Connection (valve side)	Cage tension spring terminals
Core cross-section (valve side)	up to 2.5 mm ²
Housing material	PBT
Sensing face	PBT

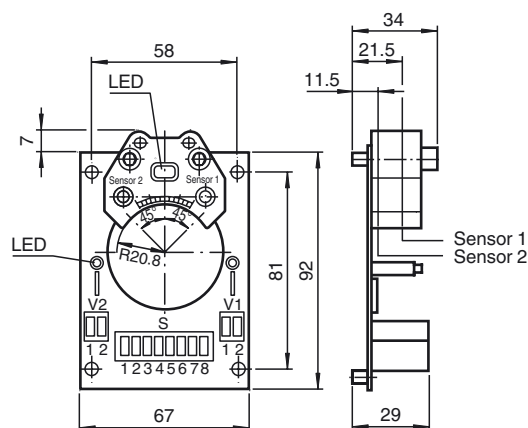
General information

Use in the hazardous area	see instruction manuals
Category	1G; 2G; 3G

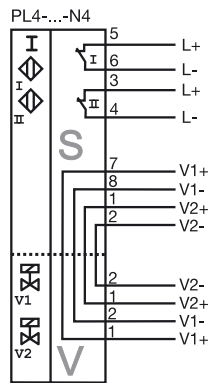
Compliance with standards and directives

Standard conformity	
NAMUR	EN 60947-5-6:2000 IEC 60947-5-6:1999
Electromagnetic compatibility	NE 21:2007
Standards	EN 60947-5-2:2007 IEC 60947-5-2:2007

Dimensions



Electrical Connection



Equipment protection level Ga

CE marking	CE 0102	
Effective internal inductivity	C_i	$\leq 100 \text{ nF}$ A cable length of 10 m is considered. The value is applicable for one sensor circuit.
Effective internal inductance	L_i	$\leq 100 \mu\text{H}$ A cable length of 10 m is considered. The value is applicable for one sensor circuit.
Highest permissible ambient temperature	Depending on the temperature class, the temperature ranges can be taken from the EU-type examination certificate. Note: Use the temperature table for category 1 !!! The 20 % reduction in accordance with EN 1127-1 has already been applied to the temperature table for category 1.	

Equipment protection level Gb

CE marking	CE 0102	
Effective internal inductivity	C_i	$\leq 100 \text{ nF}$; a cable length of 10 m is considered. The value is applicable for one sensor circuit.
Effective internal inductance	L_i	$\leq 100 \mu\text{H}$; a cable length of 10 m is considered. The value is applicable for one sensor circuit.
Maximum permissible ambient temperature T_{amb}	Depending on the temperature class, the temperature ranges can be taken from the EU-type examination certificate.	

Equipment protection level Gc (nL)

Standard conformity	EN 60079-15:2005 Ignition protection category "n" Use is restricted to the following stated conditions	
General	The apparatus has to be operated according to the appropriate data in the data sheet and in this instruction manual. The data stated in the data sheet are restricted by this operating instruction! The special conditions must be observed! The ATEX Directive applies only to the use of apparatus under atmospheric conditions. If you use the device outside atmospheric conditions, consider that the permissible safety parameters should be reduced.	

Release date: 2017-06-28 17:23 Date of issue: 2017-07-03 104535_eng.xml