



CE
0102

Model Number

RJ10-N-0,21M

Features

- Comfort series
- 10 mm inside diameter

Technical Data

General specifications

| | |
|----------------------------|-----------|
| Switching element function | NAMUR, NC |
| Installation | |
| Output polarity | NAMUR |
| Inside diameter | 10 mm |
| Measuring cylinder | |
| Diameter | 2.5 mm |
| Length | 4 mm |

Nominal ratings

| | | |
|------------------------------|-------|---------------|
| Nominal voltage | U_o | 8 V |
| Switching frequency | f | 0 ... 2000 Hz |
| Current consumption | | |
| Measuring plate not detected | | ≥ 3 mA |
| Measuring plate detected | | ≤ 1 mA |

Ambient conditions

| | |
|---------------------|-------------------------------|
| Ambient temperature | -20 ... 65 °C (-4 ... 149 °F) |
|---------------------|-------------------------------|

Mechanical specifications

| | |
|----------------------|----------------------|
| Connection type | cable PVC , 210 mm |
| Core cross-section | 0.14 mm ² |
| Housing material | PBT |
| Degree of protection | IP67 |

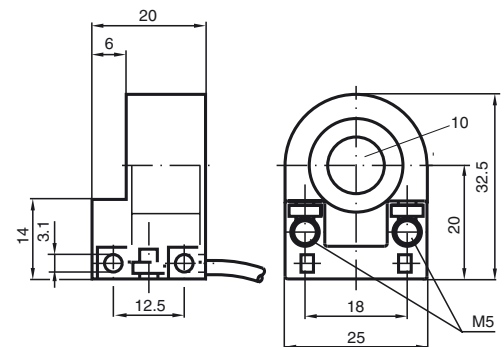
General information

| | |
|---------------------------|-------------------------|
| Use in the hazardous area | see instruction manuals |
| Category | 2G |

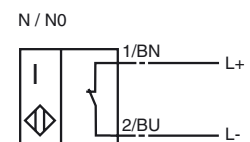
Compliance with standards and directives

| | |
|-------------------------------|---|
| Standard conformity | |
| NAMUR | EN 60947-5-6:2000 IEC 60947-5-6:1999 |
| Electromagnetic compatibility | NE 21:2007 |
| Standards | EN 60947-5-2:2007 IEC 60947-5-2:2007 |

Dimensions



Electrical Connection



ATEX 2G

Instruction

Device category 2G

EC-Type Examination Certificate

CE marking

ATEX marking

Directive conformity

Standards

Appropriate type

Effective internal capacitance C_i Effective internal inductance L_i

General

Ambient temperature

Installation, Commissioning

Maintenance

Specific conditions

Protection from mechanical danger

Manual electrical apparatus for hazardous areas

for use in hazardous areas with gas, vapour and mist

PTB 99 ATEX 2128 X

CE 0102

II 2G EEx ia IIC T6

94/9/EG

EN 50014:1997, EN 50020:1994

Ignition protection "Intrinsic safety"

Use is restricted to the following stated conditions

RJ10-N....

 ≤ 30 nF ; a cable length of 10 m is considered. ≤ 20 μ H ; a cable length of 10 m is considered.

The apparatus has to be operated according to the appropriate data in the data sheet and in this instruction manual. The EC-Type Examination Certificate has to be observed. The special conditions must be adhered to!

The temperature ranges, according to temperature class, are given in the EC-Type Examination Certificate.

Laws and/or regulations and standards governing the use or intended usage goal must be observed. The intrinsic safety is only assured in connection with an appropriate related apparatus and according to the proof of intrinsic safety.

No changes can be made to apparatus, which are operated in hazardous areas. Repairs to these apparatus are not possible.

When used in the temperature range below -20 °C the sensor should be protected from knocks by the provision of an additional housing.