



### Model Number

NJ30+U2+N

### Features

- Comfort series
- 30 mm non-flush

### Accessories

#### MH 04-2681F

Mounting aid for VariKont, +U1+ and +U9\*

#### MH 04-2057B

Mounting aid for VariKont and +U1+

#### MHW 01

Modular mounting bracket

## Technical Data

### General specifications

Switching element function		NAMUR, NC
Rated operating distance	$s_n$	30 mm
Installation		non-flush
Output polarity		NAMUR
Assured operating distance	$s_a$	0 ... 24.3 mm
Reduction factor $r_{Al}$		0.4
Reduction factor $r_{Cu}$		0.3
Reduction factor $r_{304}$		0.85

### Nominal ratings

Nominal voltage	$U_o$	8 V
Switching frequency	$f$	0 ... 150 Hz
Current consumption		
Measuring plate not detected		$\geq 3$ mA
Measuring plate detected		$\leq 1$ mA

### Standard conformity

EMC in accordance with	IEC / EN 60947-5-2:2004
------------------------	-------------------------

### Ambient conditions

Ambient temperature	-25 ... 100 °C (-13 ... 212 °F)
---------------------	---------------------------------

### Mechanical specifications

Connection type	screw terminals
Core cross-section	up to 2.5 mm <sup>2</sup>
Housing material	PBT
Sensing face	PBT
Degree of protection	IP68

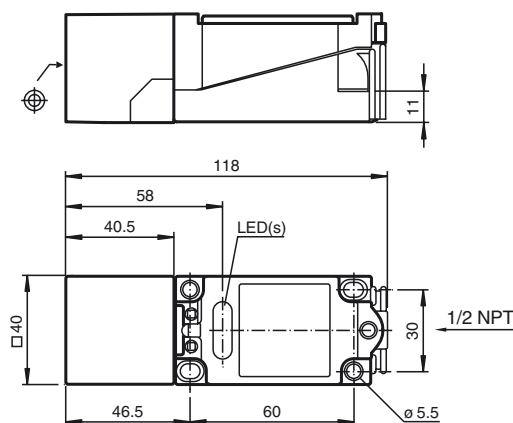
### General information

Use in the hazardous area	see instruction manuals
Category	2G

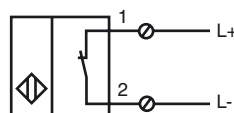
### Compliance with standards and directives

Standard conformity	
NAMUR	EN 60947-5-6:2000 IEC 60947-5-6:1999
Standards	EN 60947-5-2:2007 IEC 60947-5-2:2007

## Dimensions



## Electrical Connection



**ATEX 2G**

Instruction

**Device category 2G**

EC-Type Examination Certificate

CE marking

ATEX marking

Directive conformity

Standards

Appropriate type

Effective internal capacitance  $C_i$ Effective internal inductance  $L_i$ 

General

Ambient temperature

Installation, Commissioning

Maintenance

**Specific conditions****Manual electrical apparatus for hazardous areas**

for use in hazardous areas with gas, vapour and mist

PTB 00 ATEX 2032 X

CE 0102

II 2G EEx ia IIC T6

94/9/EG

EN 50014:1997, EN 50020:1994

Ignition protection "Intrinsic safety"

Use is restricted to the following stated conditions

NJ 30+U.+N...

≤ 160 nF ; a cable length of 10 m is considered.

≤ 130 μH ; a cable length of 10 m is considered.

The apparatus has to be operated according to the appropriate data in the data sheet and in this instruction manual. The EC-Type Examination Certificate has to be observed. The special conditions must be adhered to!

The temperature ranges, according to temperature class, are given in the EC-Type Examination Certificate.

Laws and/or regulations and standards governing the use or intended usage goal must be observed. The intrinsic safety is only assured in connection with an appropriate related apparatus and according to the proof of intrinsic safety.

No changes can be made to apparatus, which are operated in hazardous areas. Repairs to these apparatus are not possible.