

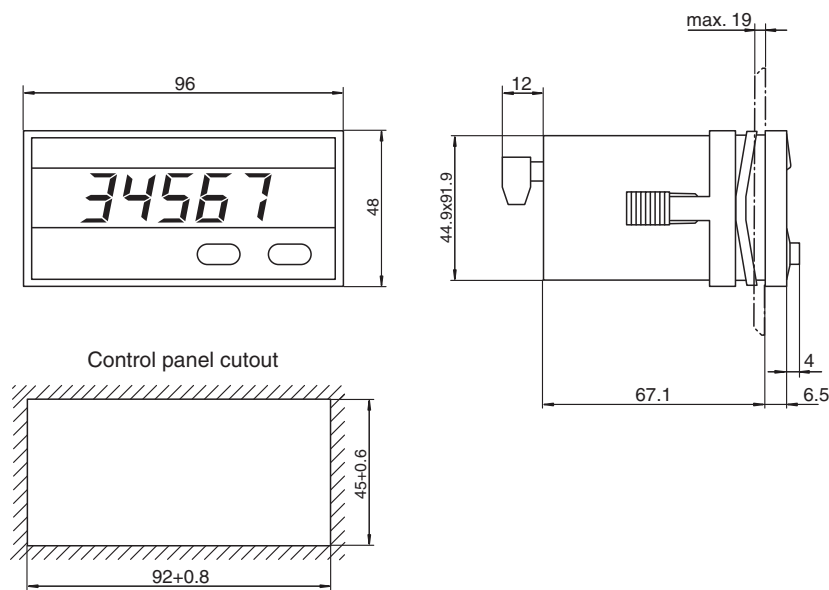
Counter/Timer/Tachometer KCT2-6ST-V



- Counter/Timer/Tachometer
- Extremely bright, large LED indicator
- 1 pre-select value with transistor output
- PNP and NPN sensors can be connected
- Adding/subtracting via 2 separate inputs
- Degree of protection IP65 (front only)



Dimensions



Technical Data

General specifications

Pre-selection	single
Data storage	10 ⁶ storage cycles or 10 years, EEPROM
Programming	keypad-driven menu

Indicators/operating means

Type	7-segment LED display, red
Number of digits	6
Display value	digit height 14 mm
Pre-selection	active at counter value ≤ 0
Key interlock	-

Release date: 2023-11-21 | Date of issue: 2023-11-21 | Filename: 110350_eng.pdf

Refer to "General Notes Relating to Pepperl+Fuchs Product Information".

Pepperl+Fuchs Group
www.pepperl-fuchs.com

USA: +1 330 486 0001
fa-info@us.pepperl-fuchs.com

Germany: +49 621 776 1111
fa-info@de.pepperl-fuchs.com

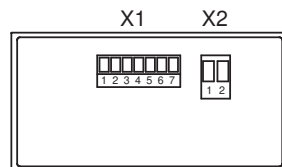
Singapore: +65 6779 9091
fa-info@sg.pepperl-fuchs.com

PEPPERL+FUCHS

Technical Data

Display interval		-199999 ... 999999 with suppression of leading zeros
Decimal point		0 to max 3 fractional digits
Scale factor		0.0001 ... 99.9999
Reset		manually or external
Electrical specifications		
Operating voltage	U_B	90 ... 260 V AC
Power consumption	P_0	max. 6 VA
Input		
Counting frequency		30 Hz / 20 kHz (max. 11 kHz when counting with phase discriminator)
Minimum pulse duration		5 ms for reset input
Impedance		10 kOhm
Voltage		low: 0 ... 4 V DC ; high: 12 ... 30 V DC
Counting method		adding or subtracting
Output		
Sensor supply		24 V DC \pm 15 % / 100 mA
Response time		6 ms
Optocoupler		NPN, open collector and open emitter 30 V / 15 mA
Ambient conditions		
Ambient temperature		-20 ... 65 °C (-4 ... 149 °F)
Storage temperature		-25 ... 70 °C (-13 ... 158 °F)
Relative humidity		\leq 80 % (noncondensing)
Mechanical specifications		
Connection		2-pin and 7-pin plug-in connection terminals, core cross section \leq 1.5 mm ²
Mass		approx. 150 g
Dimensions		96 mm x 48 mm x 90 mm
Mounting		latch fastener (dimension 48 mm x 100 mm)

Connection



Connection assignment X2

Terminal No.	AC version
1	Power supply 90 ... 260 V AC
2	Power supply 90 ... 260 V AC

Connection assignment X1

Terminal No.	AC version
1	Optocoupler collector output
2	Optocoupler emitter output
3	SET
4	INP B
5	INP A
6	GND
7	+24 V out