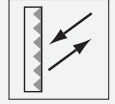


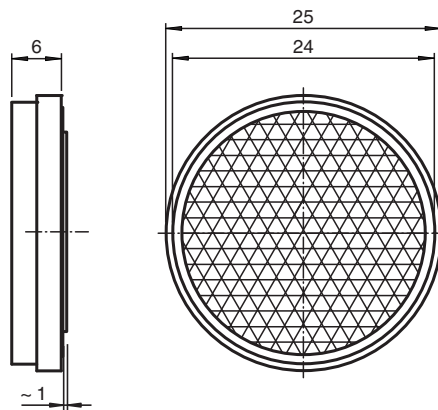
Reflector REF-A25



- Self-adhesive for simple installation

Reflector, round \varnothing 25 mm, self-adhesive

Dimensions



Technical Data

| | |
|----------------------------------|-------------------------------|
| General specifications | |
| Construction type | circular |
| Ambient conditions | |
| Ambient temperature | -20 ... 85 °C (-4 ... 185 °F) |
| Mechanical specifications | |
| Material | PMMA/ABS |
| Mounting | self-adhesive |

Release date: 2023-12-19 Date of issue: 2023-12-19 Filename: 113955_eng.pdf

Refer to "General Notes Relating to Pepperl+Fuchs Product Information".

Pepperl+Fuchs Group
www.pepperl-fuchs.com

USA: +1 330 486 0001
fa-info@us.pepperl-fuchs.com

Germany: +49 621 776 1111
fa-info@de.pepperl-fuchs.com

Singapore: +65 6779 9091
fa-info@sg.pepperl-fuchs.com

 **PEPPERL+FUCHS**