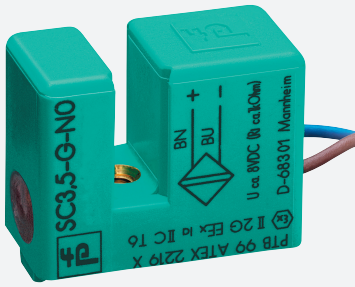


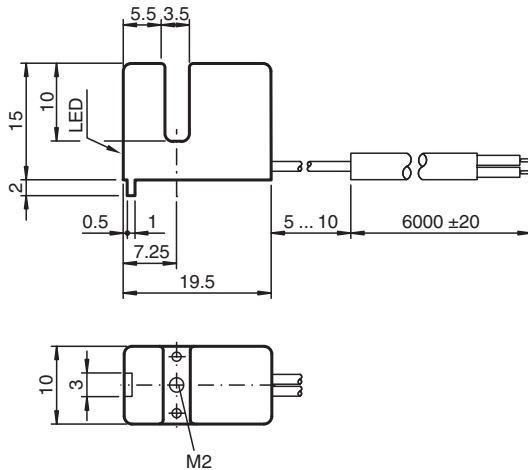
Inductive slot sensor SC3,5-G-N0-6M



■ Comfort series



Dimensions



Technical Data

General specifications

Switching function	Normally closed (NC)
Output type	NAMUR
Slot width	3.5 mm
Depth of immersion (lateral)	5 ... 7 typ. 6 mm
Output type	2-wire

Nominal ratings

Nominal voltage	U_o	8.2 V (R_i approx. 1 k Ω)
Operating voltage	U_B	5 ... 25 V
Switching frequency	f	0 ... 3000 Hz
Hysteresis	H	0 ... 0.6 mm
Suitable for 2:1 technology		yes, Reverse polarity protection diode not required
Current consumption		
Measuring plate not detected		≥ 3 mA at nominal voltage
Measuring plate detected		≤ 1 mA at nominal voltage
Switching state indicator		LED, yellow

Compliance with standards and directives

Release date: 2020-12-15 Date of issue: 2020-12-15 Filename: 114211_eng.pdf

Refer to "General Notes Relating to Pepperl+Fuchs Product Information".

Pepperl+Fuchs Group
www.pepperl-fuchs.com

USA: +1 330 486 0001
fa-info@us.pepperl-fuchs.com

Germany: +49 621 776 1111
fa-info@de.pepperl-fuchs.com

Singapore: +65 6779 9091
fa-info@sg.pepperl-fuchs.com

PF PEPPERL+FUCHS

Technical Data

Standard conformity	
NAMUR	EN 60947-5-6:2000 IEC 60947-5-6:1999
Electromagnetic compatibility	NE 21:2007
Standards	EN 60947-5-2:2007 EN 60947-5-2/A1:2012 IEC 60947-5-2:2007 IEC 60947-5-2 AMD 1:2012
Approvals and certificates	
IECEX approval	
Equipment protection level Ga	IECEX PTB 11.0091X
Equipment protection level Gb	IECEX PTB 11.0091X
Equipment protection level Da	IECEX PTB 11.0091X
Equipment protection level Mb	IECEX PTB 11.0091X
ATEX approval	
Equipment protection level Ga	PTB 99 ATEX 2219 X
Equipment protection level Gb	PTB 99 ATEX 2219 X
Equipment protection level Gc (ic)	PF13CERT2895 X
Equipment protection level Da	PTB 99 ATEX 2219 X
EAC conformity	TR CU 012/2011
UL approval	
Ordinary Location	E87056
Hazardous Location	E501628
Control drawing	116-0453
CSA approval	cCSAus Listed, General Purpose
CCC approval	
Hazardous Location	2020322315002306
NEPSI approval	
NEPSI certificate	GYJ16.1391X
Ambient conditions	
Ambient temperature	-25 ... 100 °C (-13 ... 212 °F)
Mechanical specifications	
Connection type	cablc PVC , 6 m
Core cross-section	0.14 mm ²
Housing material	PBT
Degree of protection	IP67
Cable	
Cable diameter	2.6 mm ± 0.2 mm
Bending radius	> 10 x cable diameter
General information	
Use in the hazardous area	see instruction manuals

Connection

