



### Model Number

NJ15+U1M+A2-T

### Features

- Temperature range  
-25 ... 100 °C (-13 ... 212 °F)
- 15 mm flush
- Metric cable gland M20 x 1.5

## Technical Data

### General specifications

Switching element function		PNP	NO/NC
Rated operating distance	$s_n$	15 mm	
Installation		flush	
Output polarity		DC	
Assured operating distance	$s_a$	0 ... 12.15 mm	
Reduction factor $r_{Al}$		0.4	
Reduction factor $r_{Cu}$		0.3	
Reduction factor $r_{304}$		0.85	

### Nominal ratings

Operating voltage	$U_B$	10 ... 60 V
Switching frequency	$f$	0 ... 150 Hz
Hysteresis	$H$	typ. 3 %
Reverse polarity protection		reverse polarity protected
Short-circuit protection		pulsing
Voltage drop	$U_d$	$\leq 3$ V
Operating current	$I_L$	0 ... 200 mA
Off-state current	$I_r$	0 ... 0.5 mA typ. 0.01 mA
No-load supply current	$I_0$	$\leq 20$ mA
Time delay before availability	$t_v$	$\leq 20$ ms
Operating voltage indicator		LED, green
Switching state indicator		LED, yellow

### Ambient conditions

Ambient temperature	-25 ... 100 °C (-13 ... 212 °F)
---------------------	---------------------------------

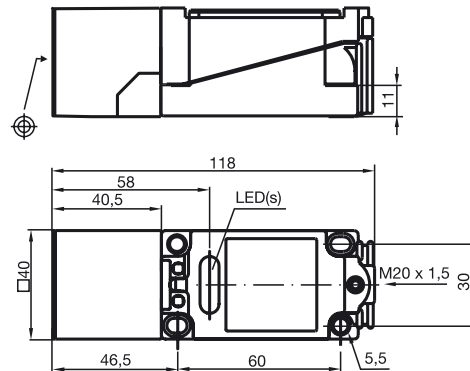
### Mechanical specifications

Connection type	terminal compartment
Core cross-section	up to 2.5 mm <sup>2</sup>
Housing material	PBT
Sensing face	PBT
Degree of protection	IP68

### Compliance with standards and directives

Standard conformity	
Standards	EN 60947-5-2:2007 IEC 60947-5-2:2007

## Dimensions



## Electrical Connection

