



### Model Number

#### V1-W

Female connector, M12, 4-pin, field attachable

### Features

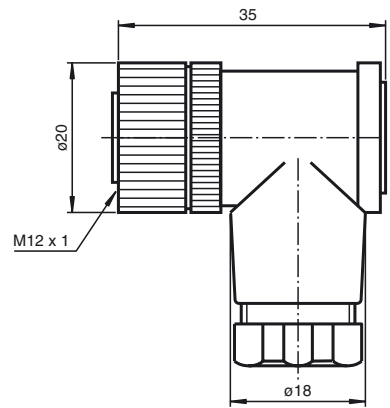
- Gold plated contacts

### Accessories

#### V1-E/E2-LED

PCB with LED for installation in a cable connector

## Dimensions



## Technical data

### General specifications

Number of pins	4
UL File Number	E363587

### Electrical specifications

Operating voltage	$U_B$	max. 250 V AC/DC
Operating current		max. 4 A
Volume resistance		< 3 m $\Omega$

### Ambient conditions

Ambient temperature	-40 ... 85 °C (-40 ... 185 °F)
Pollution Degree	3

### Mechanical specifications

Degree of protection	IP67
Connection	1 x M12 right-angled socket Screw terminals for max. 0.75 mm <sup>2</sup> PG7 cable gland

### Material

Contacts	CuZn
Contact surface	Au
Body	PBT
Slotted nut	CuZn, nickel-plated
Cable	
Sheath diameter	4 ... 6 mm

### Compliance with standards and directives

Standard conformity	
Degree of protection	EN 60529:2000

## Electrical connection

