



### Model Number

NBN3-F25F-E8-V1-Y118535

## Technical Data

### General specifications

Switching function		2 x normally open (NO)
Output type		PNP
Rated operating distance	$s_n$	3 mm
Installation		flush mountable
Output polarity		DC
Assured operating distance	$s_a$	0 ... 2.3 mm
Actual operating distance	$s_r$	2.6 ... 2.6 mm typ.
Reduction factor $r_{A1}$		0.5
Reduction factor $r_{304}$		1
Reduction factor $r_{Si37}$		1.2
Output type		3-wire

### Nominal ratings

Operating voltage	$U_B$	10 ... 30 V
Switching frequency	$f$	0 ... 500 Hz
Hysteresis	$H$	typ. 5 %
Reverse polarity protection		all connections
Short-circuit protection		pulsing
Voltage drop	$U_d$	$\leq 3$ V
<b>Design data</b>		
Operating current	$I_L$	0 ... 200 mA
Off-state current	$I_r$	0 ... 0.5 mA typ. 0.1 $\mu$ A at 25 °C
No-load supply current	$I_0$	$\leq 25$ mA
Time delay before availability	$t_v$	$\leq 500$ ms
Operating voltage indicator		LED, green
Switching state indicator		LED, yellow

### Standard conformity

Standards	IEC / EN 60947-5-2:2004
-----------	-------------------------

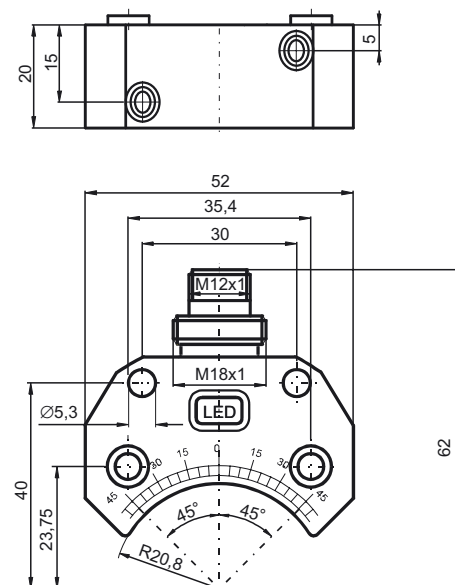
### Ambient conditions

Ambient temperature	-25 ... 70 °C (-13 ... 158 °F)
Storage temperature	-40 ... 85 °C (-40 ... 185 °F)

### Mechanical specifications

Housing material	Polyamide (PA)
Sensing face	PBT
Degree of protection	IP67
Note	Installation in housing

## Dimensions



## Electrical Connection

