

Reflector

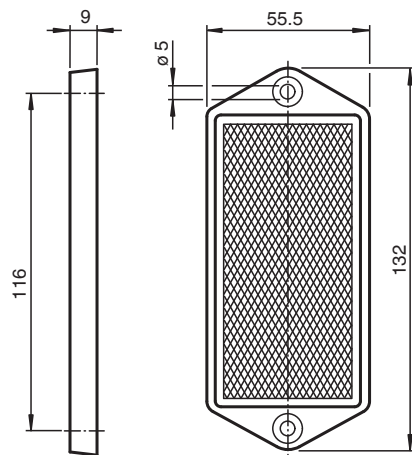
REF-H116HT



- Mounting holes for simple installation
- With extended temperature range up to 110 °C (230 °F)

Reflector, rectangular 55.5 mm x 132 mm, mounting holes, high temperature applications

Dimensions



Technical Data

General specifications

Construction type rectangular

Ambient conditions

Ambient temperature -20 ... 110 °C (-4 ... 230 °F)

Mechanical specifications

Material PC

Dimensions 55.5 mm x 132 mm x 9 mm

Mounting mounting holes

Release date: 2020-07-31 Date of issue: 2020-09-03 Filename: 119408_eng.pdf

Refer to "General Notes Relating to Pepperl+Fuchs Product Information".

Pepperl+Fuchs Group
www.pepperl-fuchs.com

USA: +1 330 486 0001
fa-info@us.pepperl-fuchs.com

Germany: +49 621 776 1111
fa-info@de.pepperl-fuchs.com

Singapore: +65 6779 9091
fa-info@sg.pepperl-fuchs.com

PF PEPPERL+FUCHS