



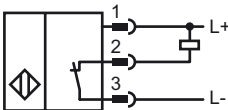
**Model Number**

NBN40-L2-E1-V1

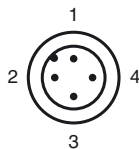
**Features**

- Basic series
- 40 mm not embeddable
- Quick mounting bracket
- 4-way LED indicator

**Connection**



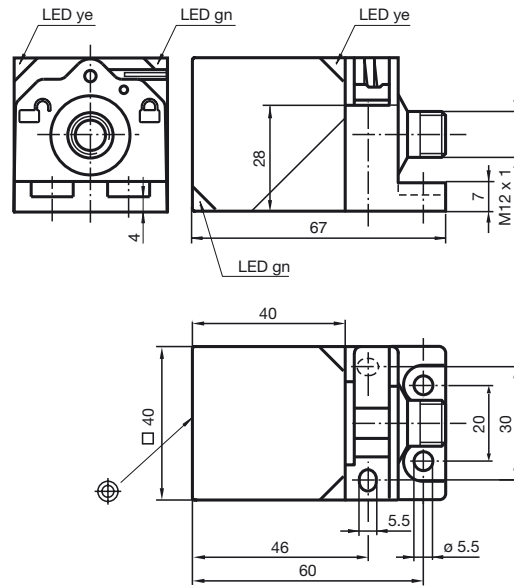
**Pinout**



Wire colors in accordance with EN 60947-5-2

- |   |  |    |
|---|--|----|
| 1 |  | BN |
| 2 |  | WH |
| 3 |  | BU |
| 4 |  | BK |

**Dimensions**



**Technical Data**

**General specifications**

Switching element function	NPN Break function
Rated operating distance	$s_n$ 40 mm
Installation	not embeddable
Output polarity	DC
Assured operating distance	$s_a$ 0 ... 32.4 mm
Reduction factor $r_{Al}$	0.3
Reduction factor $r_{Cu}$	0.28
Reduction factor $r_{V2A}$	0.75
Reduction factor $r_{Brass}$	0.38

**Nominal ratings**

Operating voltage	$U_B$	10 ... 30 V
Switching frequency	$f$	0 ... 150 Hz
Hysteresis	$H$	typ. 5 %
Reverse polarity protection		protected against reverse polarity
Short-circuit protection		pulsing
Voltage drop	$U_d$	$\leq 2$ V
Operating current	$I_L$	0 ... 200 mA
Off-state current	$I_r$	0 ... 0.5 mA
No-load supply current	$I_0$	$\leq 20$ mA
Operating voltage display		LED, green
Indication of the switching state		LED, yellow

**Ambient conditions**

Ambient temperature	-25 ... 85 °C (248 ... 358 K)
Storage temperature	-40 ... 85 °C (233 ... 358 K)

**Mechanical specifications**

Connection type	connector M12 x 1, 4-pin
Housing material	PA
Sensing face	PA
Protection degree	IP69K

**Compliance with standards and directives**

Standard conformity	
Standards	EN 60947-5-2:2007 IEC 60947-5-2:2007

Release date: 2010-01-14 10:48 Date of issue: 2010-01-14 12:1604\_ENG.xml