



Model Number

NBN50-FP-B3B-P3

Features

- Basic series
- 50 mm non-flush
- A/B slave with extended addressing possibility for up to 62 slaves
- NO/NC selectable
- On/Off delay (disconnectable)
- Oscillator monitoring

Accessories

VAZ-RK-PUR 2x1,5-YE 100M
AS-Interface round cable

Technical Data

General specifications

Switching function	Normally open/closed (NO/NC) programmable
Output type	AS-Interface
Rated operating distance	s_n 50 mm
Installation	non-flush
Assured operating distance	s_a 0 ... 40.5 mm
Reduction factor r_{AI}	0.4
Reduction factor r_{Cu}	0.3
Reduction factor r_{304}	0.85
Output type	2-wire

Nominal ratings

Operating voltage	U_B 26.5 ... 31.9 V via AS-i bus system
Switching frequency	f 0 ... 80 Hz
Hysteresis	H 1 ... 15 typ. 3 %
Reverse polarity protection	reverse polarity protected
Operating voltage indicator	LED green
Switching state indicator	LED yellow
Error indicator	LED red

Ambient conditions

Ambient temperature	-25 ... 70 °C (-13 ... 158 °F)
Storage temperature	-40 ... 85 °C (-40 ... 185 °F)

Mechanical specifications

Connection type	terminal compartment
Core cross-section	up to 2.5 mm ²
Housing material	PBT/metal
Sensing face	PBT
Degree of protection	IP67

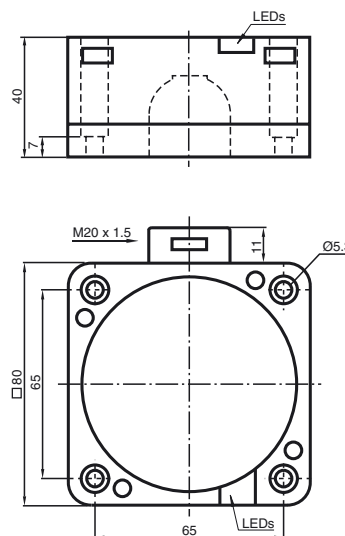
Compliance with standards and directives

Standard conformity	EN 60947-5-2:2007
Standards	IEC 60947-5-2:2007

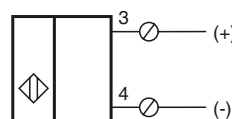
Approvals and certificates

UL approval	cULus Listed, General Purpose
CSA approval	cCSAus Listed, General Purpose
CCC approval	CCC approval / marking not required for products rated ≤36 V

Dimensions



Electrical Connection



Release date: 2019-08-23 12:11 Date of issue: 2019-08-23 122054_eng.xml

Programming Instructions

Adress 00 preset, alterable
 via Busmaster
 or programming units
 IO-Code 0
 ID-Code A
 ID1-Code 7
 ID2-Code E

Data bit

Bit	Function
D0	Switching state
D1	not used
D2	Oscillator monitoring
D3	not used

Parameter bit

Bit	Function
P0	ON / Off delay activated* / deactivated
P1	Switching element function NO* / NC
P2	not used
P3	not used

*Standard setting

Indication depending on the operation mode

Symptoms	red LED (FAULT)	Data bit D2
normal operation	off	1
Oscillator defect	flashing	0
no communication	on	1

On/off delay:

The on/off delay is preset and switched on (P0=1). On delay approx.15 ms, when P0=1 and NO function (P1=1). Off delay approx.15 ms, when P0=1 and NC function (P1=0).

Release date: 2019-08-23 12:11 Date of issue: 2019-08-23 122054_eng.xml