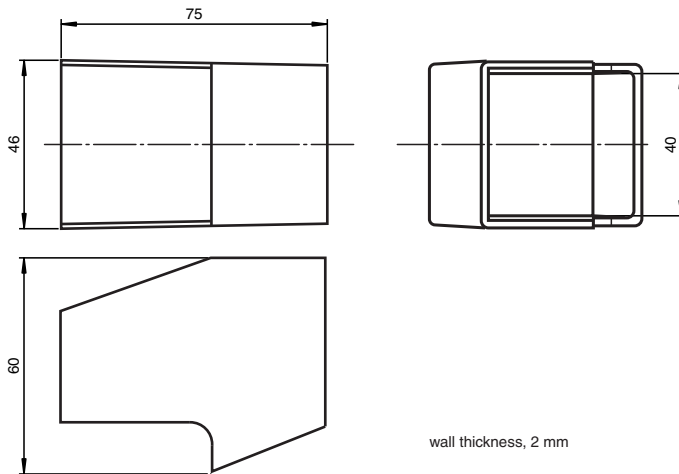


Protective cover SH-F35

Protective cap for mechanical protection and for use in applications in conditions where moisture is present.

Dimensions



Technical Data

Approvals and certificates

CCC approval CCC approval / marking not required for products rated ≤ 36 V

Ambient conditions

Ambient temperature 0 ... 250 °C (32 ... 482 °F)

Mechanical specifications

Material PPS; Ryton R4

Mounting

