



CE  
0102

### Model Number

NCN50-FP-N0-P1M

### Features

- Comfort series
- 50 mm non-flush

## Technical Data

### General specifications

Switching element function		NAMUR, NC
Rated operating distance	$s_n$	50 mm
Installation		non-flush
Output polarity		NAMUR
Assured operating distance	$s_a$	0 ... 40.5 mm
Reduction factor $r_{Al}$		0.4
Reduction factor $r_{Cu}$		0.35
Reduction factor $r_{304}$		0.8

### Nominal ratings

Installation conditions		
A		40 mm
B		150 mm
F		240 mm
Nominal voltage	$U_o$	8 V
Switching frequency	f	0 ... 80 Hz
Hysteresis	H	0 ... 5 typ. 3 %
Reverse polarity protection		reverse polarity protected
Short-circuit protection		yes
Current consumption		
Measuring plate not detected		≥ 3 mA
Measuring plate detected		≤ 1 mA
Time delay before availability	$t_v$	≤ 20 ms
Switching state indicator		LED, yellow

### Standard conformity

EMC in accordance with	IEC / EN 60947-5-2:2004; NE 21
Standards	DIN EN 60947-5-6 (NAMUR)

### Ambient conditions

Ambient temperature	-25 ... 100 °C (-13 ... 212 °F)
Storage temperature	-40 ... 100 °C (-40 ... 212 °F)

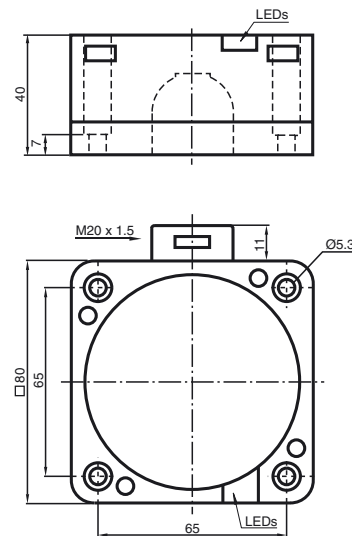
### Mechanical specifications

Core cross-section	up to 2.5 mm <sup>2</sup>
Housing material	PBT
Sensing face	PBT
Degree of protection	IP67

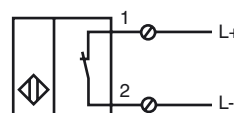
### General information

Use in the hazardous area	see instruction manuals
Category	2G

## Dimensions



## Electrical Connection



**ATEX 2G**

Instruction

**Device category 2G**

EC-Type Examination Certificate

CE marking

ATEX marking

Directive conformity

Standards

Appropriate type

Effective internal capacitance  $C_i$ Effective internal inductance  $L_i$ 

General

Ambient temperature

Installation, Commissioning

Maintenance

**Specific conditions**

Electrostatic charging

**Manual electrical apparatus for hazardous areas**

for use in hazardous areas with gas, vapour and mist

PTB 00 ATEX 2032 X

CE 0102

II 2G EEx ia IIC T6

94/9/EG

EN 50014:1997, EN 50020:1994

Ignition protection "Intrinsic safety"

Use is restricted to the following stated conditions

NCN50-FP-N0..

 $\leq 220$  nF ; a cable length of 10 m is considered. $\leq 360$   $\mu$ H ; a cable length of 10 m is considered.

The apparatus has to be operated according to the appropriate data in the data sheet and in this instruction manual. The EC-Type Examination Certificate has to be observed. The special conditions must be adhered to!

The temperature ranges, according to temperature class, are given in the EC-Type Examination Certificate.

Laws and/or regulations and standards governing the use or intended usage goal must be observed. The intrinsic safety is only assured in connection with an appropriate related apparatus and according to the proof of intrinsic safety.

No changes can be made to apparatus, which are operated in hazardous areas. Repairs to these apparatus are not possible.

When used in group IIC non-permissible electrostatic charges should be avoided on the plastic housing parts.