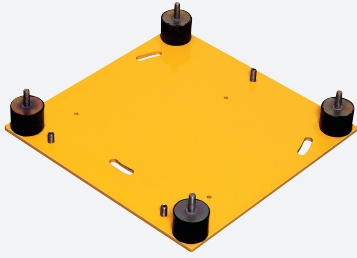


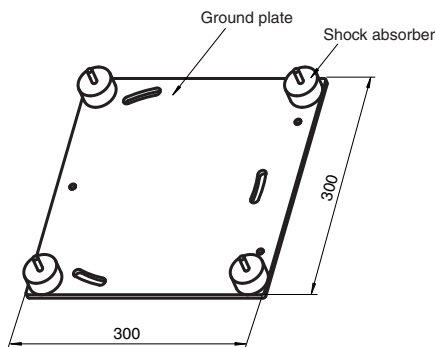
Mounting aid Safety Damping UC SLP/SLC



Shock absorber as ramming protector for all series SLP/SLC devices



Dimensions



Technical Data

Ambient conditions	
Storage temperature	-40 ... 85 °C (-40 ... 185 °F)
Mechanical specifications	
Material	Diecast zinc
Mounting	Mounting accessories included
Suitable series	
Safety Series	SLP / SLC

Release date: 2020-03-20 Date of issue: 2020-10-06 Filename: 123290_eng.pdf

Refer to "General Notes Relating to Pepperl+Fuchs Product Information".

Pepperl+Fuchs Group
www.pepperl-fuchs.com

USA: +1 330 486 0001
fa-info@us.pepperl-fuchs.com

Germany: +49 621 776 1111
fa-info@de.pepperl-fuchs.com

Singapore: +65 6779 9091
fa-info@sg.pepperl-fuchs.com

PF PEPPERL+FUCHS