



Model number

VAA-2E-F85-V1

AS-Interface emergency off button

Features

- Degree of protection IP65 and IP69K
- Outwit-proof according to ISO 13850/EN 418
- 2-channel, compelled connected
- TÜV-approval for system components is available

Function

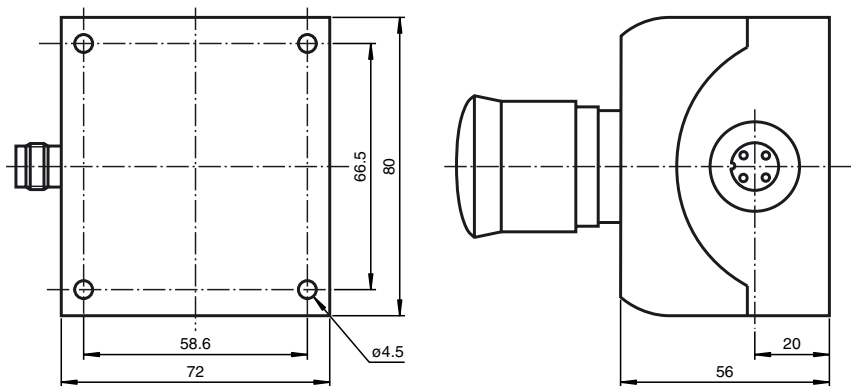
When used in accordance with conditions in combination with an AS-Interface safety monitor, this AS-Interface EMERGENCY OFF makes it possible to operate personal protection equipment.

Accessories

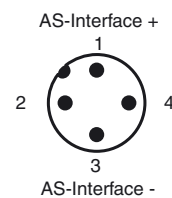
VAZ-F85-SH

Actuating protection for emergency off button

Dimensions



Electrical connection



Technical data

General specifications

Slave type	Standard slave
------------	----------------

Functional safety related parameters

MTTF _d	200 a
B _{10d}	1 E+5

Electrical specifications

Rated operating voltage	U _e	26.5 ... 31.6 V from AS-Interface
Rated operating current	I _e	≤ 20 mA
Protection class		III

Input

Number/Type	2 NC Safety function by positive opening in accordance with IEC/EN 60947-5-1 Reset by pulling
Supply	from AS-Interface

Programming instructions

Profile	S-7.B.E.
IO code	7
ID code	B
ID1 code	0
ID2 code	E

Data bits (function via AS-Interface)	input	output
D0	dyn. safety code 1	-
D1	dyn. safety code 1	-
D2	dyn. safety code 2	-
D3	dyn. safety code 2	-

Parameter bits (programmable via AS-i) function

P0	not used
P1	not used
P2	not used
P3	not used

Ambient conditions

Ambient temperature	-25 ... 55 °C (-13 ... 131 °F)
Storage temperature	-25 ... 85 °C (-13 ... 185 °F)

Mechanical specifications

Degree of protection	IP65 in accordance with EN 60529 and IP69K
Connection	M12 round connector