



Model Number

NRN35-L2-A2-C-V1

Features

- 35 mm non-flush
- Reduction factor = 1
- Weld Immune

Accessories

V1-G

Female connector, M12, 4-pin, field attachable

V1-W-2M-PUR

Female cordset, M12, 4-pin, PUR cable

V1-G-2M-PUR

Female cordset, M12, 4-pin, PUR cable

MHW 01

Modular mounting bracket

MH 02-L

Mounting aid

V1-W

Female connector, M12, 4-pin, field attachable

Technical Data

General specifications

Switching element function		PNP	NO/NC
Rated operating distance	s_n	35 mm	
Installation		non-flush	
Output polarity		DC	
Assured operating distance	s_a	0 ... 28.35 mm	
Reduction factor r_{Al}		approx. 1.1	
Reduction factor r_{Cu}		approx. 1.1	
Reduction factor r_{304}		approx. 1.1	
Reduction factor r_{S37}		1	

Nominal ratings

Operating voltage	U_B	10 ... 36 V
Switching frequency	f	0 ... 200 Hz
Hysteresis	H	1 ... 15 %
Reverse polarity protection		reverse polarity protected
Short-circuit protection		pulsing
Voltage drop	U_d	≤ 2.5 V
Operating current	I_L	0 ... 250 mA
No-load supply current	I_0	≤ 20 mA
Alternating magnetic field	B	160 mT
Operating voltage indicator		LED, green
Switching state indicator		LED, yellow

Ambient conditions

Ambient temperature	-25 ... 70 °C (-13 ... 158 °F)
---------------------	--------------------------------

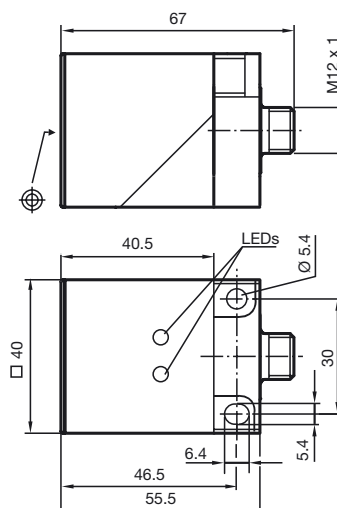
Mechanical specifications

Connection type	Connector M12 x 1, 4-pin
Housing material	PPE
Sensing face	PPE
Degree of protection	IP67

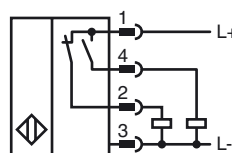
Compliance with standards and directives

Standard conformity	
Standards	EN 60947-5-2:2007 IEC 60947-5-2:2007

Dimensions



Electrical Connection



Pinout



Wire colors in accordance with EN 60947-5-2

1	BN	(brown)
2	WH	(white)
3	BU	(blue)
4	BK	(black)