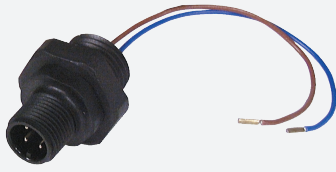


Receptacles

V1-PG13,5-Y124355

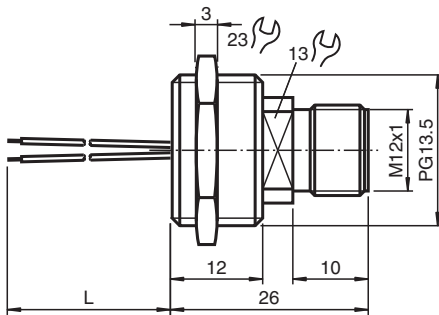


- Plastic version
- Front/screw mounting
- M12 plug can be mounted in any position
- Only two pins assigned

Receptacle, M12/PG13.5, 2-pin; plastic



Dimensions



Technical Data

General specifications

Connector 1		
Connection		plug
Construction type		M12
Style		straight
Locking		screw connection
Number of pins		4
Coding		A-coded
Connector 2		
Connection		cable end

Electrical specifications

Operating voltage	U_B	max. 240 V AC/DC
Operating current	I_B	max. 4 A

Conformity

Degree of protection		EN 60529
Plug connection		connector M12 x 1 : IEC 61076-2-101

Ambient conditions

Ambient temperature		-25 ... 80 °C (-13 ... 176 °F)
---------------------	--	--------------------------------

Mechanical specifications

Degree of protection		IP67 when sealing with O-Ring
Connection		Single strand leads with connector sleeves

Release date: 2025-01-10 Date of issue: 2025-01-10 Filename: 124355_eng.pdf

Refer to "General Notes Relating to Pepperl+Fuchs Product Information".

Pepperl+Fuchs Group
www.pepperl-fuchs.com

USA: +1 330 486 0001
fa-info@us.pepperl-fuchs.com

Germany: +49 621 776 1111
fa-info@de.pepperl-fuchs.com

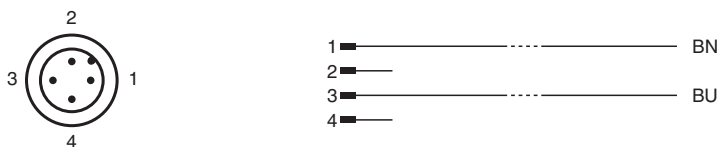
Singapore: +65 6779 9091
fa-info@sg.pepperl-fuchs.com

PEPPERL+FUCHS

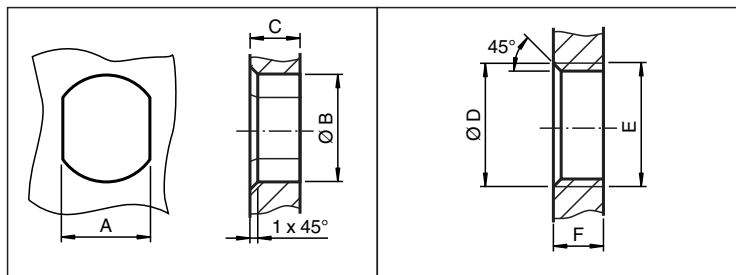
Technical Data

Cable		
Number of cores		2
Core cross section		0.25 mm ²
Cores color		Core 1: brown Core 3: blue
Length	L	250 mm
Installation		Front mounting PG13.5
Mass		21 g
Material		
Plug connector		
Screw connection		plastic
Body		plastic
Seal		NBR
Contact surface		gold plated (Au)
Cable		
Core insulation		PVC
General information		
Scope of delivery		locknut included

Connection Assignment



Mounting



	A	B	C	D	E	F
M8	7.1 ^{+0.1}	Ø 8.2 ^{+0.1}	2 - 4 mm	-	M8x0.5	2 - 4 mm
M12	11 ^{+0.1}	Ø 12.2 ^{+0.1}	< 4 mm	-	M12x1	< 4.5 mm
M16	13.5 ^{+0.1}	Ø 16.1	< 4.5 mm	Ø 17 ^{+0.2}	M16x1.5	> 2.5 mm
M20	13.5 ^{+0.1}	Ø 20.1	-	Ø 20 ^{+0.2}	M20x1.5	< 6 mm
PG9	13.5 ^{+0.1}	Ø 15.3 ^{+0.1}	< 4.5 mm	Ø 16	PG9	> 2.5 mm
PG13.5	18.8 ^{+0.1}	Ø 20.5 ^{+0.1}	-	Ø 22 ^{±0.1}	PG13.5	-

Release date: 2025-01-10 Date of issue: 2025-01-10 Filename: 124355_eng.pdf