



### Model Number

NBN4-F45-Z0

### Features

- Basic series
- 4 mm non-flush

## Technical Data

### General specifications

Switching element function		NPN	NO
Rated operating distance	$s_n$	4 mm	
Installation		non-flush	
Output polarity		DC	
Assured operating distance	$s_a$	0 ... 3.24 mm	
Reduction factor $r_{Al}$		0.3	
Reduction factor $r_{Cu}$		0.25	
Reduction factor $r_{304}$		0.7	

### Nominal ratings

Operating voltage	$U_B$	5 ... 30 V
Switching frequency	$f$	0 ... 300 Hz
Hysteresis	$H$	1 ... 10 typ. 5%
Reverse polarity protection		reverse polarity protected
Short-circuit protection		pulsing
Voltage drop	$U_d$	$\leq 5$ V
Operating current	$I_L$	2 ... 100 mA
Off-state current	$I_r$	0.4 ... 0.7 mA typ.
Time delay before availability	$t_v$	$\leq 5$ ms
Switching state indicator		no

### Standard conformity

Standards	IEC / EN 60947-5-2:2004
-----------	-------------------------

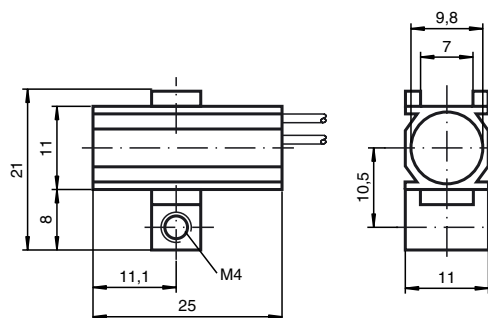
### Ambient conditions

Ambient temperature	-25 ... 70 °C (-13 ... 158 °F)
---------------------	--------------------------------

### Mechanical specifications

Connection type	165 mm, PVC-wire with Lumberg plug connection 3820N.PL.134.1
Core cross-section	0.14 mm <sup>2</sup>
Housing material	POM
Sensing face	PBT
Degree of protection	IP67

## Dimensions



## Electrical Connection

