



Model Number

UB500-F54-I-V15-Y124880

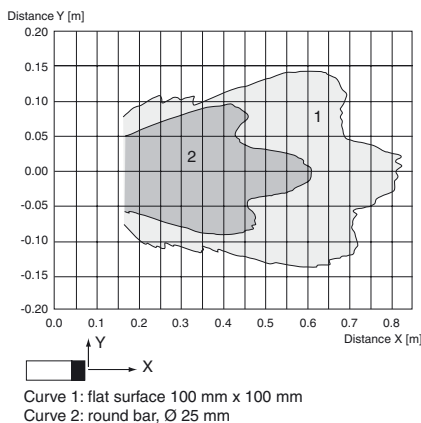
Single head system

Features

- Analog output 4 mA ... 20 mA
- Very fast response characteristic, suitable for rapid scanning process
- Measuring window adjustable
- Program input
- Synchronization options
- Deactivation option
- Temperature compensation

Diagrams

Characteristic response curve



Release date: 2013-02-26 15:22 Date of issue: 2013-10-25 12:4880_eng.xml

Technical data

General specifications

Sensing range	30 ... 500 mm
Adjustment range	50 ... 500 mm
Unusable area	0 ... 30 mm
Standard target plate	100 mm x 100 mm
Transducer frequency	approx. 380 kHz
Response delay	≤ 10 ms

Indicators/operating means

LED green	solid green: monitoring system green flashing: program function
LED yellow	solid yellow: object in the evaluation range yellow, flashing: program function, object detected
LED red	solid red: Error red, flashing: program function, object not detected

Electrical specifications

Operating voltage U_B	10 ... 30 V DC, ripple 10 % $_{SS}$
No-load supply current I_0	≤ 55 mA

Input/Output

Synchronization	1 synchronous input 0 level: $U_B \dots +1$ V 1 level: $+4$ V ... $+U_B$ input impedance: > 12 KOhm synchronization pulse: 0.1 ... 8 ms
Synchronization frequency	≤ 100 Hz
Common mode operation	≤ 100 / n Hz, n = number of sensors
Multiplex operation	≤ 100 / n Hz, n = number of sensors

Input

Input type	1 program input lower evaluation limit A1: $-U_B \dots +1$ V, upper evaluation limit A2: $+4$ V ... $+U_B$ input impedance: > 4.7 kΩ, pulse duration: ≥ 1 s
------------	---

Output

Output type	1 analog output 4 ... 20 mA
Default setting	evaluation limit A1: 50 mm evaluation limit A2: 300 mm
Switch-off delay t_{off}	approx. 50 ms in case of echo loss
Resolution	0.13 mm
Deviation of the characteristic curve	± 1 % of full-scale value
Repeat accuracy	± 0.2 % of full-scale value
Load impedance	0 ... 300 Ohm
Temperature influence	± 1.5 % of full-scale value

Ambient conditions

Ambient temperature	-25 ... 70 °C (-13 ... 158 °F)
Storage temperature	-40 ... 85 °C (-40 ... 185 °F)

Mechanical specifications

Connection type	Connector M12 x 1, 5-pin
Protection degree	IP65
Material	
Housing	ABS
Transducer	epoxy resin/hollow glass sphere mixture; polyurethane foam
Mass	100 g

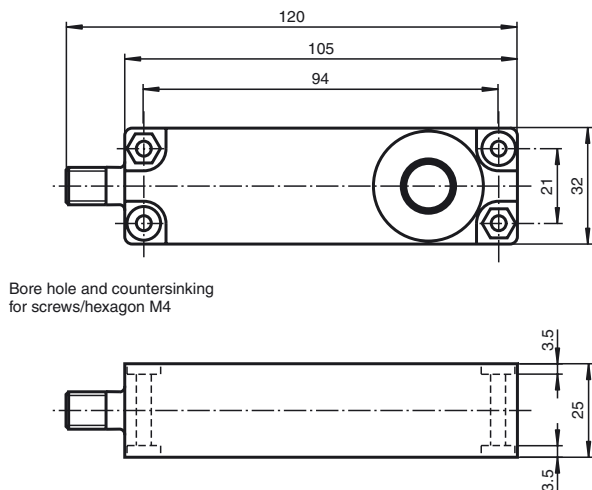
Compliance with standards and directives

Standard conformity	
Standards	EN 60947-5-7:2003 IEC 60947-5-7:2003 EMC: evaluation criterion B

Approvals and certificates

UL approval	cULus Listed, General Purpose
CSA approval	cCSAus Listed, General Purpose
CCC approval	CCC approval / marking not required for products rated ≤36 V

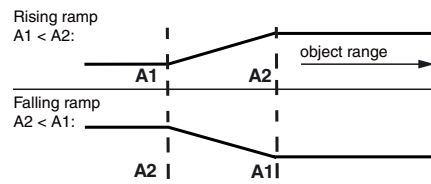
Dimensions



Bore hole and countersinking for screws/hexagon M4

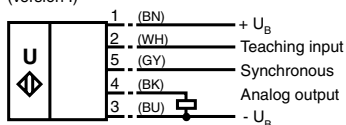
Additional Information

Programmed analogue output function



Electrical Connection

Standard symbol/Connections:
(version I)



Core colours in accordance with EN 60947-5-2.

Pinout

Connector V15



Accessories

UB-PROG2
Programming unit

V15-G-2M-PVC
Female cordset, M12, 5-pin, PVC cable

V15-W-2M-PUR
Female cordset, M12, 5-pin, PUR cable

Synchronisation

The sensor features a synchronisation input for the suppression of mutual interference. If this input is not used, the sensor will operate using an internally generated clock rate. The synchronisation of multiple sensors can be realised as follows:

External synchronisation:

The sensor can be synchronised by the external application of a square wave voltage. A synchronisation pulse at the synchronisation input starts a measuring cycle. The pulse must have a duration greater than 100 µs. The measuring cycle starts with the falling edge of a synchronisation pulse. A low level > 1 s or an open synchronisation input will result in the normal operation of the sensor. A high level at the synchronisation input disables the sensor.

Release date: 2013-02-26 15:22 Date of issue: 2013-10-25 124880_eng.xml

Two operating modes are available:

1. Multiple sensors can be controlled by the same synchronisation signal. The sensors are synchronised.
2. The synchronisation pulses are sent cyclically to individual sensors. The sensors operate in multiplex mode.

Internal synchronisation:

The synchronisation connections of up to 5 sensors capable of internal synchronisation are connected to one another. When power is applied, these sensors will operate in multiplex mode.

The response delay increases according to the number of sensors to be synchronised.

Synchronisation cannot be performed during TEACH-IN and vice versa. The sensors must be operated in an unsynchronised manner to teach the evaluation limits.

Note:

If the option for synchronisation is not used, the synchronisation input has to be connected to ground (0V) or the sensor has to be operated via a V1 cable connector (4-pin).

Adjusting the evaluation range (analogue output)

The ultrasonic sensor has an analogue output with programmable evaluation limits. These are set by applying the supply voltage $-U_B$ or $+U_B$ to the TEACH-IN input. The supply voltage must be applied to the TEACH-IN input for at least 1 s. LEDs indicate whether the sensor has recognised the target during the TEACH-IN procedure. The lower evaluation limit A1 is taught with $-U_B$, A2 with $+U_B$.

Two different output functions can be set:

1. Analogue value increases with rising distance to object (rising ramp)
2. Analogue value falls with rising distance to object (falling rampe)

TEACH-IN rising ramp (A1 > A2)

- Position object at lower evaluation limit
- TEACH-IN lower limit A1 with $-U_B$
- Position object at upper evaluation limit
- TEACH-IN upper limit A2 with $+U_B$

TEACH-IN falling ramp (A1 > A):

- Position object at lower evaluation limit
- TEACH-IN lower limit A2 with $+U_B$
- Position object at upper evaluation limit
- TEACH-IN upper limit A1 with $-U_B$

LED Displays

Displays in dependence on operating mode	Red LED	Yellow LED	Green LED
TEACH-IN evaluation limit			
Object detected	off	flashes	flashes
No object detected	flashes	off	flashes
Object uncertain (TEACH-IN invalid)	on	off	flashes
Normal mode (evaluation range)	off	on	on
Fault	flashes	previous state	off

Release date: 2013-02-26 15:22 Date of issue: 2013-10-25 12:4880_eng.xml