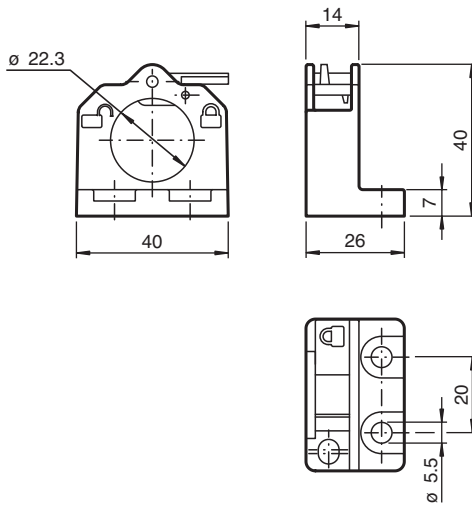




Mounting flange
BF-L2

Mounting flange

Dimensions



Technical Data

Ambient conditions

Ambient temperature -40 ... 150 °C (-40 ... 302 °F)

Mechanical specifications

Material PA 6 Grivory GVN-35H

Safety latch Diecast zinc

Mass 19 g