

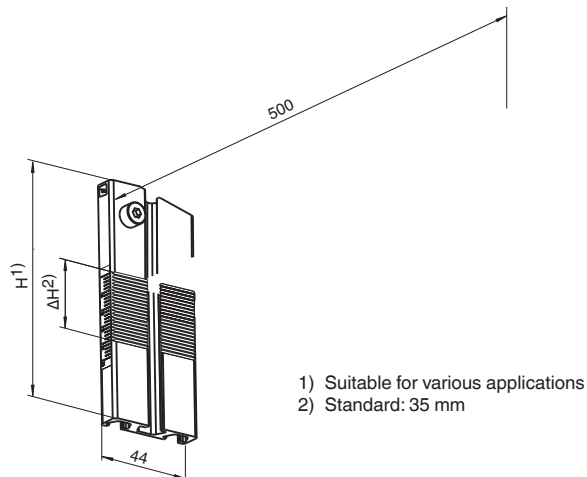


## Mounting aid MHW 01-500

- Suitable for VariKont and VariKont L sensors
- Aluminum profile, pre-mounted
- For mounting on support profiles in conveying technology (available for different types of profiles)
- Simple and fast mounting
- Sensor position adjustable in all 3 axial directions
- Sensor can be mounted length or crosswise on the profile section

Modular mounting bracket

## Dimensions



Type	H [mm]	Y [mm]
MHW 01	107	35
MHW 02	116	20
MHW 06	158	60
MHW 09	139	52
MHW 10	132	47

## Technical Data

### Mechanical specifications

Material	Extruded aluminum profile
Dimensions	Profile rail 1 for the installation of the mounting bracket: 500 mm Profile rail 2 for positioning the mounting bracket for the supporting profile see data table

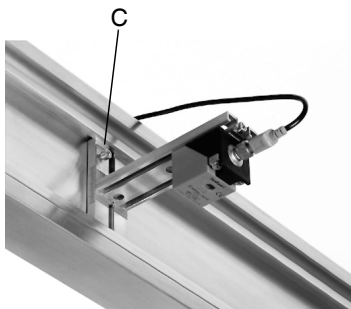
## Mounting

### Installation:

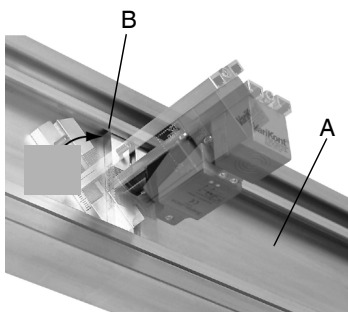
- Pre-mount the mounting bracket with cylindrical screws (M6 x 12/DIN 912), washers and sliding blocks.
- Position the sliding block on the serrated side of the profile rail 2.
- Mount profile rail 1 with its centre slot and the serrated side onto the sliding blocks.
- To form the mounting bracket, position the profiles at right angles to each other, by engaging the serrations.
- Stabilise the mounting bracket by tightening the cylindrical screws.
- Place the mounting bracket on the surface of the supporting profile (A) and twist the bracket by its ends (B) until it engages behind the flanges in the supporting profile.
- Align the mounting bracket.
- Secure the profile rail on the supporting profile by means of the clamping screw (C).
- Insert the two M5 x 18 screws (for VariKont Sensors) or M5 x 42 (for VariKont L Sensors) in the base of the sensor and pre-mount the sliding blocks.
- Insert the sliding blocks into the two grooves in the profile rail 1.
- Position the sensor as required and clamp it.

### Note:

With some applications the installation is easier if the sensor is pre-mounted on the profile section before the mounting bracket is assembled and mounted on the supporting profile.



VariKont L installed on the



Installation of the mounting bracket on the supporting profile

## Scope of Delivery

### Supplied accessories

Modular mounting bracket MHW \*\*-500, consisting of

- 1 profile rail 1 (500 mm) for installation of the mounting bracket
- 1 profile rail 2 (length H) for positioning the mounting bracket on the supporting profile, pre-mounted with sliding block and cylindrical head screw (M6 x 20/DIN 912)
- 1 mounting bracket with 1 sliding block (M6), washer and cylindrical screw (M6 x 12/ DIN 912) each
- 2 sliding blocks (M5) for the installation of the sensor
- 2 cylindrical head screws (M5 x 18/DIN 84) for the installation of VariKont Sensors
- 2 cylindrical head screws (M5 x 42/DIN 84) for the installation of VariKont L Sensors