

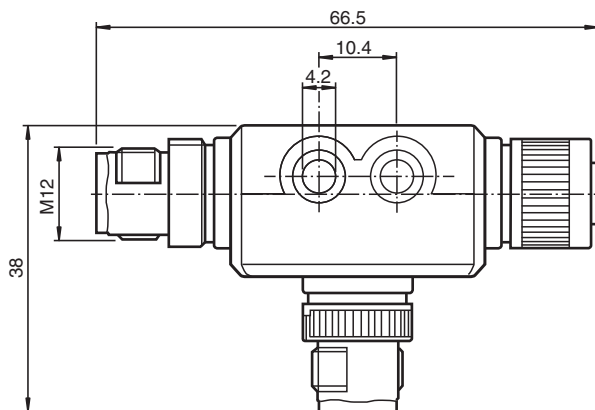


## T-Distributor ICZ-3T-V15B

- Direct coupling of t-pieces
- Completely screened
- M12 round connection for BUS (B-coded)
- Immunity to vibration
- Data transmission up to 12 MBaud

T-Distributor for PROFIBUS

### Dimensions



### Technical Data

| General specifications    |  |
|---------------------------|--|
| Number of pins            | 5  |
| Transfer rate             | up to 12 MBit/s  |
| Ambient conditions        |  |
| Ambient temperature       | -40 ... 80 °C (-40 ... 176 °F)<br>briefly to 250 °C (482 °F) |
| Mechanical specifications |  |
| Degree of protection      | IP67   |
| Connection                | M12 connector/socket, 5-pin, B-coded for PROFIBUS            |
| Material                  |  |
| Contacts                  | CuZn, gold-plated  |
| Housing                   | PUR, oil resistant   |
| Slotted nut               | CuZn, nickel-plated  |

Release date: 2020-03-21 Date of issue: 2020-03-27 Filename: 126294\_eng.pdf

Refer to "General Notes Relating to Pepperl+Fuchs Product Information".

Pepperl+Fuchs Group  
www.pepperl-fuchs.com

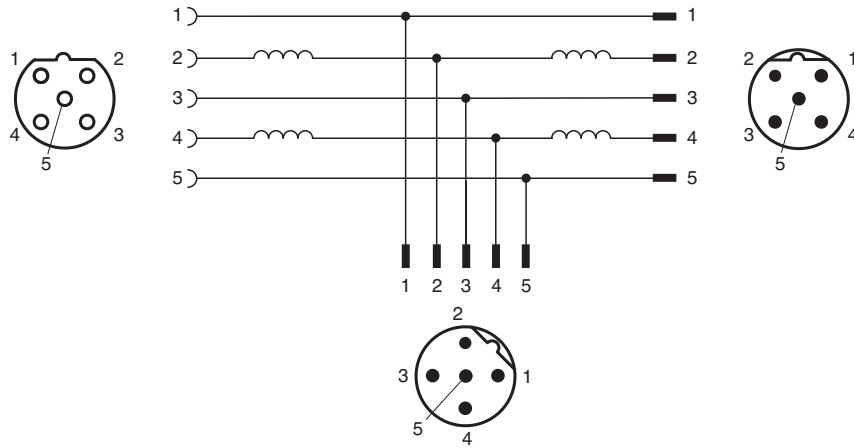
USA: +1 330 486 0001  
fa-info@us.pepperl-fuchs.com

Germany: +49 621 776 1111  
fa-info@de.pepperl-fuchs.com

Singapore: +65 6779 9091  
fa-info@sg.pepperl-fuchs.com

**PF** PEPPERL+FUCHS

Connection



Release date: 2020-03-21 Date of issue: 2020-03-27 Filename: 126294\_eng.pdf

Refer to "General Notes Relating to Pepperl+Fuchs Product Information".

Pepperl+Fuchs Group  
www.pepperl-fuchs.com

USA: +1 330 486 0001  
fa-info@us.pepperl-fuchs.com

Germany: +49 621 776 1111  
fa-info@de.pepperl-fuchs.com

Singapore: +65 6779 9091  
fa-info@sg.pepperl-fuchs.com