



ASi illuminated button module

VAA-LT3-F86-V1

- Empty housing for the installation of up to 6 built-in buttons, built-in lamps or similar with diameter 22 mm
- Connection of the illuminated pushbuttons via pluggable screw terminals
- Degree of protection IP65 possible
- Integrated communication monitoring function
- Inputs and outputs short-circuit and overload proof
- No external power supply required
- M12 plug for simple connection to AS-Interface

Luminous push-button module, 4 inputs/4outputs



Function

The VAA-LT3-F86-V1 light sensor module creates a connection between the operating personnel and the AS-Interface master. The housing is designed in combination with suitable display and control elements in protection type IP65.

The internal AS-Interface I/O module is ideally suited to integrating customer-specific electronics, for example light sensors or LED lights. The printed circuit board is supplied entirely from the AS-Interface. The inputs and outputs are protected against short circuits and overload and the connection between the display and control elements and the AS-Interface circuit board can be plugged in with screw-on plug-in terminals. The connection to the AS-Interface is implemented by means of a V1 round plug (M12 x 1).

An overloading of the outputs is signalled to the AS-Interface master via the "Peripheral fault" function. Communication via the AS-Interface remains intact.

The luminous push-button module can be expanded by means of an additional printed circuit board module VAA-4E4A-CB1-Z/E2.

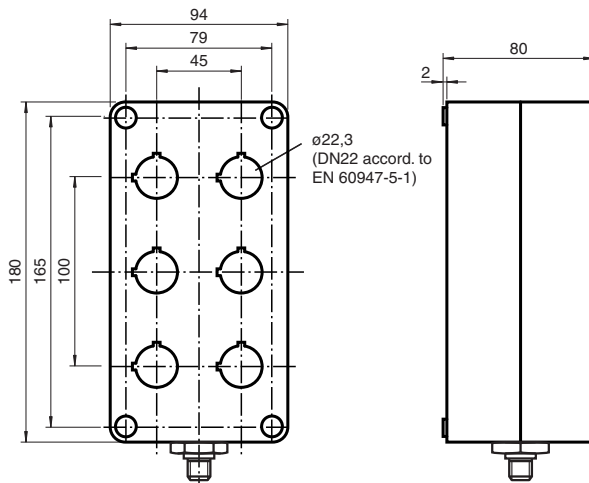
Note:

Communication monitoring is integrated. This switches the outputs to a currentless state if no communication is taking place over the AS-Interface cable.

Application

LED displays should be used preferably, in order to avoid an exceeding of the max. current.

Dimensions



Technical Data

General specifications

Node type	Standard node
AS-Interface specification	V2.0
Required gateway specification	≥ V2.0

Release date: 2022-11-29 Date of issue: 2022-11-29 Filename: 126688_eng.pdf

Refer to "General Notes Relating to Pepperl+Fuchs Product Information".

Pepperl+Fuchs Group
www.pepperl-fuchs.com

USA: +1 330 486 0001
fa-info@us.pepperl-fuchs.com

Germany: +49 621 776 1111
fa-info@de.pepperl-fuchs.com

Singapore: +65 6779 9091
fa-info@sg.pepperl-fuchs.com

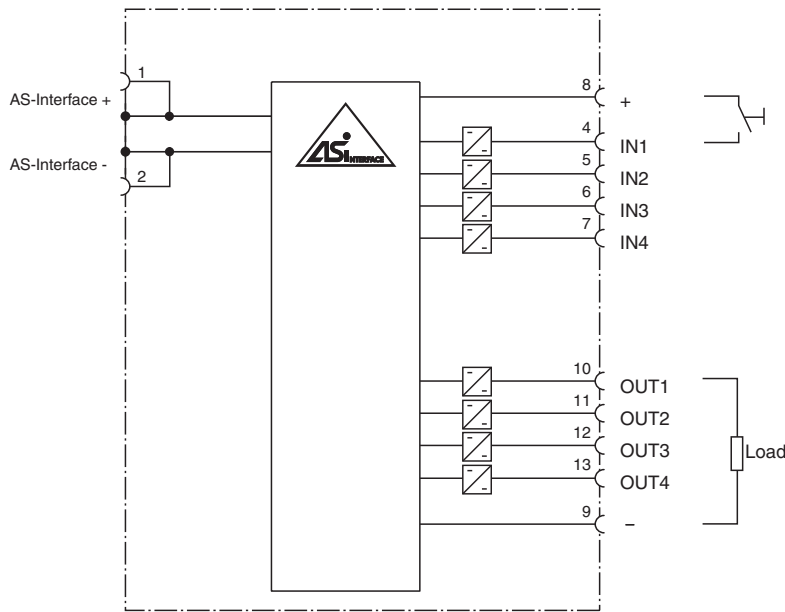


Technical Data

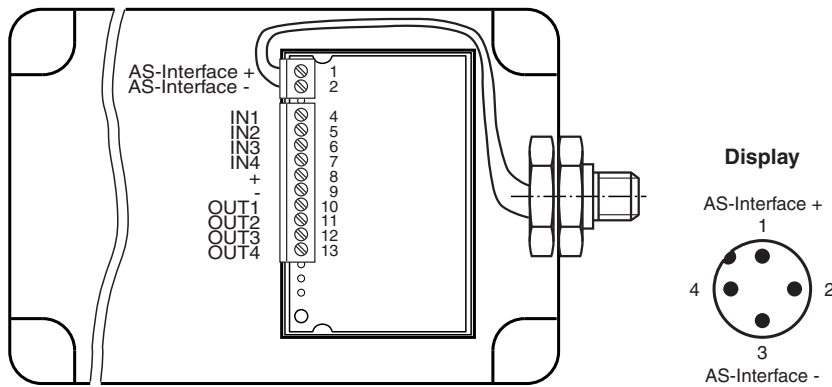
Electrical specifications		
Rated operating voltage	U_e	26.5 ... 31.6 V from AS-Interface
Rated operating current	I_e	≤ 30 mA (without sensors) / max. 180 mA
Protection class		III
Input		
Number/Type		4 inputs for mechanical contacts
Supply		from AS-Interface
Voltage		21 ... 31 V
Input current		≤ 8 mA (limited internally)
Switching point		according to EN 61131-2 Typ 1
0 (unattenuated)		≤ 1.5 mA
1 (attenuated)		≥ 4 mA
Output		
Number/Type		4 electronic outputs, PNP
Supply		from AS-Interface
Voltage		21 ... 31 V
Current		≤ 100 mA per output, ≤ 140 mA total
Directive conformity		
Electromagnetic compatibility		
Directive 2014/30/EU		EN 62026-2:2013
Standard conformity		
Degree of protection		EN 60529:2000
AS-Interface		EN 62026-2:2013
Programming instructions		
Profile		S-7.0
IO code		7
ID code		0
ID1 code		F
ID2 code		E
Data bits (function via AS-Interface)	InputOutput	
D0	IN1	OUT1
D1	IN2	OUT2
D2	IN3	OUT3
D3	IN4	OUT4
Parameter bits (programmable via AS-i)	function	
P0	not used	
P1	not used	
P2	not used	
P3	not used	
Ambient conditions		
Ambient temperature		-25 ... 40 °C (-13 ... 104 °F)
Storage temperature		-40 ... 85 °C (-40 ... 185 °F)
Mechanical specifications		
Degree of protection		IP65 in accordance with EN 60529 (with corresponding displays and controls)
Connection		M12 round connector

Release date: 2022-11-29 Date of issue: 2022-11-29 Filename: 126688_eng.pdf

Connection



Assembly



Accessories

	VAA-4E4A-CB1-Z/E2	Printed circuit board module encapsulated in housing for expansion to 8 inputs/8 outputs
	VAZ-T1-FK-V1	Splitter box AS-Interface to 1x M12 round connector

Release date: 2022-11-29 Date of issue: 2022-11-29 Filename: 126688_eng.pdf