



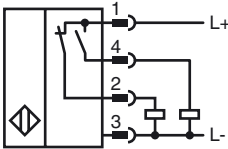
Model Number

NCB50-FP-A2-C-P1-V1

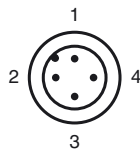
Features

- Comfort series
- 50 mm flush
- Weld Immune
- Optimum use at a distance >50 cm

Connection



Pinout



Wire colors in accordance with EN 60947-5-2

1	BN	(brown)
2	WH	(white)
3	BU	(blue)
4	BK	(black)

Accessories

V1-G

4-pin, M12 female field-attachable connector

V1-W-2M-PUR

Cable socket, M12, 4-pin, PUR cable

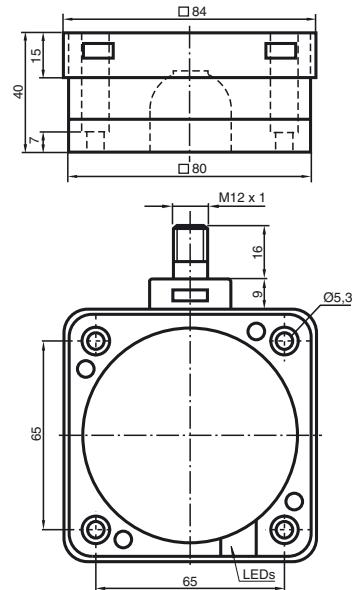
V1-G-2M-PUR

Cable socket, M12, 4-pin, PUR cable

V1-W

4-pin, M12 female field-attachable connector

Dimensions



Technical Data

General specifications

Switching element function		PNP	NO/NC
Rated operating distance	s_n	50 mm	
Installation		flush	
Output polarity		DC	
Assured operating distance	s_a	0 ... 40.5 mm	
Reduction factor r_{Al}		0.38	
Reduction factor r_{Cu}		0.35	
Reduction factor r_{304}		0.83	

Nominal ratings

Operating voltage	U_B	10 ... 60 V DC
Switching frequency	f	0 ... 1 Hz
Hysteresis	H	typ. 3 %
Reverse polarity protection		reverse polarity protected
Short-circuit protection		pulsing
Voltage drop	U_d	≤ 3 V
Operating current	I_L	0 ... 200 mA
Off-state current	I_r	0 ... 0.5 mA
No-load supply current	I_0	≤ 20 mA
Tuning-out		≥ 50 ms
Operating voltage display		LED, green
Indication of the switching state		LED, yellow

Functional safety related parameters

MTTF _d	660 a
Mission Time (T_M)	20 a
Diagnostic Coverage (DC)	0 %

Ambient conditions

Ambient temperature	-25 ... 70 °C (-13 ... 158 °F)
---------------------	--------------------------------

Mechanical specifications

Connection type	Device connector M12 x 1 , 4-pin
Housing material	PBT
Sensing face	PBT, active surface PTFE coated
Housing base	PBT
Protection degree	IP68

Compliance with standards and directives

Standard conformity	
Standards	EN 60947-5-2:2007 IEC 60947-5-2:2007

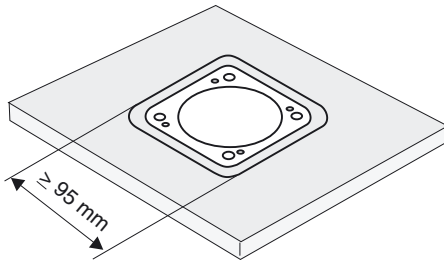
Approvals and certificates

UL approval	cULus Listed, General Purpose
CSA approval	cCSAus Listed, General Purpose

Installation hint

These sensors are especially designed for embeddable mounting in conveyor floors. Due to its precise location in metal base plates the sensor is afforded a high degree of mechanical protection. No clearance is required between the sensor and the base plate, avoiding the need for protective guarding to prevent possible foot injury.

The large sensing range ensures positive detection, and thus provides consistent control and monitoring of the conveyor.



Warning!
Once the metal screening has been removed, the sensor can no longer be embeddable mounted.