



Model Number

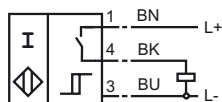
NJ15+U1+DW1-100-V1

Features

- Rotational speed controller
- 15 mm embeddable
- Start-up override time = approx. 30 s
- Up to 100 Hz

Connection

DW1



Accessories

V1-G

Field attachable female cordset

V1-W

Field attachable female cordset

V1-G-2M-PUR

Cable socket, M12, 4-pin, PUR cable

MH 04-2681F

Mounting aid for VariKont, +U1+ and +U9*

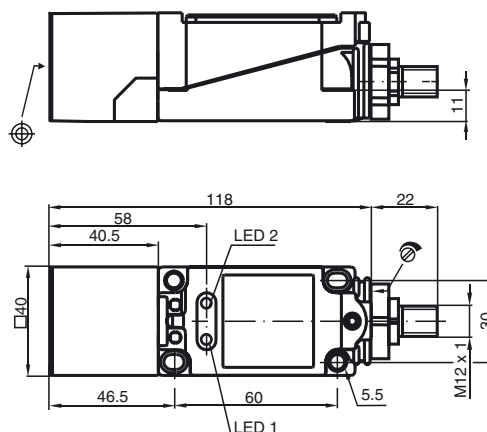
MH 04-2057B

Mounting aid for VariKont and +U1+

V1-W-2M-PUR

Cable socket, M12, 4-pin, PUR cable

Dimensions



Technical Data

General specifications

Switching element function	DC	10 ... 100 Hz
Rated operating distance	s_n	15 mm
Installation		embeddable
Output polarity		DC
Assured operating distance	s_a	0 ... 12.15 mm
Reduction factor r_{Al}		0.4
Reduction factor r_{Cu}		0.3
Reduction factor r_{V2A}		0.85

Nominal ratings

Operating voltage	U_B	15 ... 60 V
Reverse polarity protected		reverse polarity protected
Short-circuit protection		pulsing
Voltage drop	U_d	≤ 2 V
Operating current	I_L	0 ... 100 mA
No-load supply current	I_0	≤ 25 mA
Indication of the switching state		LED 1: yellow
Damping indicator		LED 2: yellow

Standard conformity

EMC in accordance with	IEC / EN 60947-5-2:2004
------------------------	-------------------------

Ambient conditions

Ambient temperature	-25 ... 70 °C (-13 ... 158 °F)
---------------------	--------------------------------

Mechanical specifications

Connection type	Device connector M12 x 1, 4-pin
Housing material	PBT
Sensing face	PBT
Protection degree	IP67

Compliance with standards and directives

Standard conformity	
Standards	EN 60947-5-2:2007 IEC 60947-5-2:2007