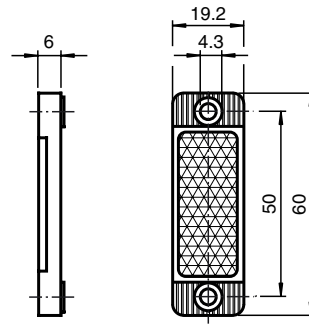




Dimensions



Model Number

REF-VR10-2

Reflector, rectangular 60 mm x 19 mm,
mounting holes

Features

- Thru-hole, rectangular, corner-cube
- Through-hole mounting

Technical data

General specifications

Construction type rectangular

Ambient conditions

Ambient temperature -20 ... 85 °C (-4 ... 185 °F)

Mechanical specifications

Material PMMA/ABS

Dimensions 60 mm x 19.2 mm x 6 mm

Mounting mounting holes