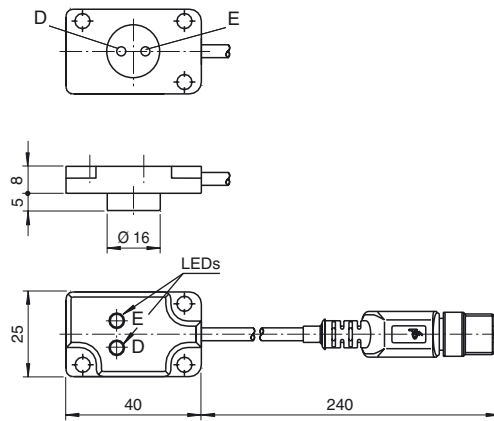


Basic series  
 2 mm not embeddable  
 Resistant to welding  
 Extremely bright LED indicator  
 Complete silicon free  
 Acc. CNOMO norm  
 Cable with M12 plug



General specifications	
Switching element function	DC Make function
Rated operating distance $s_n$	2 mm
Installation	not embeddable
Assured operating distance $s_a$	0 ... 1.62 mm
Nominal ratings	
Operating voltage $U_B$	10 ... 60 V
Switching frequency $f$	0 ... 1000 Hz
Reverse polarity protection	protected against reverse polarity
Short-circuit protection	yes
Voltage drop $U_d$	$\leq 5$ V
Operating current $I_L$	1.5 ... 100 mA
Off-state current $I_r$	$< 0.6$ mA
Indication of the switching state	LED, yellow Engage (close) LED, green Degage (open)
Standard conformity	
Standards	IEC / EN 60947-5-2:2004
Ambient conditions	
Ambient temperature	-25 ... 70 °C (248 ... 343 K)
Mechanical specifications	
Connection type	0.2 m PVC cable with V1 connector
Housing material	PA 6
Protection degree	IP67

**Connection type:**

