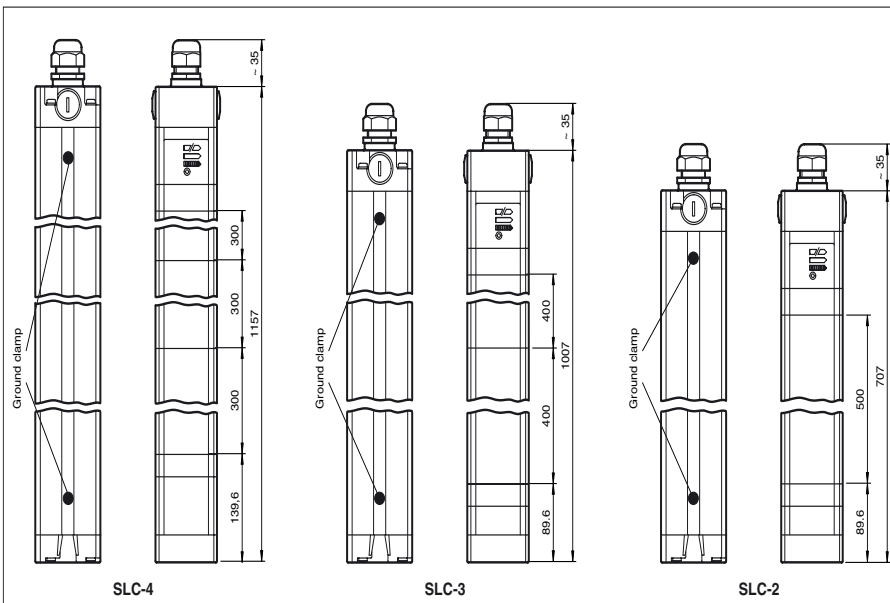




Dimensions



Model Number

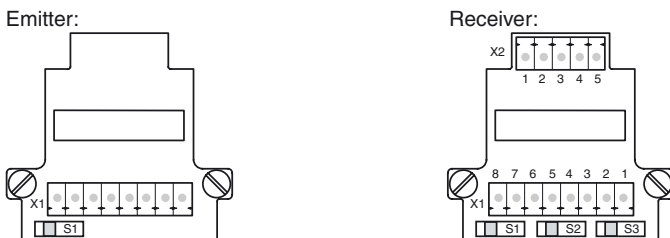
SLC-2/133

Safety light grid with integrated control unit with 2 separate fail-safe semiconductor outputs

Features

- ATEX-approval for zone 2 and zone 22
- Beam spacing 500 mm
- Self-monitoring (type 4 according to IEC/EN 61496-1)
- Safety outputs OSSD, external status displays OSSD
- Start/Restart disable
- 7-segment diagnostic display
- Pre-fault indication
- Degree of protection IP66

Electrical connection



terminal	emitter	receiver (relay output)	receiver (semiconductor output)
X1:1	Functional earth	Functional earth	Functional earth
X1:2		test (input)	Test (input)
X1:3		OSSD2.2 (output)	0 V OSSD
X1:4		OSSD1.2 (output)	24 V OSSD
X1:5		OSSD2.1 (output)	OSSD2 (output)
X1:6		OSSD1.1 (output)	OSSD1 (output)
X1:7	0 V AC/DC	0 V AC/DC	0 V DC
X1:8	24 V AC/DC	24 V AC/DC	24 V DC
X2:1		Start release (output)	Start release (output)
X2:2		Status OSSD (output)	Status OSSD (output)
X2:3	not placed on board	24 V reference potential for I/O	n. c.
X2:4		0 V reference potential for I/O	n. c.
x2:5		Startup readiness (input)	Startup readiness (input)

Release date: 2017-02-27 16:25 Date of issue: 2017-02-27 133226\_eng.xml

Refer to "General Notes Relating to Pepperl+Fuchs Product Information".

**Technical data****System components**

Emitter	SLC-2-T/133
Receiver	SLC-2-R/133

**General specifications**

Effective detection range	0.2 ... 20 m
Light source	IRED
Light type	modulated infrared light
LED risk group labelling	exempt group
Tests	IEC/EN 61496
Safety type according to IEC/EN 61496	4
Target size	50 mm
Beam spacing	500 mm
Number of beams	2
Operating mode	can be selected with or without start/restart disable
Angle of divergence	< 5 °

**Functional safety related parameters**

Safety Integrity Level (SIL)	SIL 3
Performance level (PL)	PL e
Category	Cat. 4
Mission Time (T <sub>M</sub> )	20 a
PFH <sub>d</sub>	7.27 E-9
Type	4

**Indicators/operating means**

Operation indicator	7-segment display in emitter
Diagnostics indicator	7-segment display in receiver
Function indicator	in receiver: LED red: OSSD off LED green: OSSD on LED yellow: Protected area free, system start-ready
Pre-fault indicator	LED orange
Control elements	switch for start/restart disable, transmission coding

**Electrical specifications**

Operating voltage	U <sub>B</sub>	24 V DC (-30 %/+25 %)
No-load supply current	I <sub>0</sub>	Emitter: 100 mA , receiver 150 mA
Protection class		III

**Input**

Activation current	approx. 10 mA
Activation time	0.03 ... 1 s
Test input	Reset-input for system test
Function input	Start release

**Output**

Safety output	2 separated fail safe semiconductor outputs
Signal output	1 PNP, max. 100 mA for start readiness , short-circuit protected 1 PNP, max. 100 mA for OSSD status , short-circuit protected
Switching voltage	Operating voltage -2 V
Switching current	max. 0.5 A
Response time	10 ms

**Ambient conditions**

Ambient temperature	0 ... 55 °C (32 ... 131 °F)
Storage temperature	-25 ... 70 °C (-13 ... 158 °F)
Relative humidity	max. 95 %, not condensing

**Mechanical specifications**

Degree of protection	IP66
Connection	M20 cable gland , Cable diameter Ø5.5 ... 13 mm , terminal compartment with screw terminals, lead cross-section max. 1.5 mm <sup>2</sup>

**Material**

Housing	extruded aluminum profile, RAL 1021 (yellow) coated
Optical face	Plastic pane
Mass	Per 2100 g

**General information**

Use in the hazardous area	see more details for the use in hazardous areas
Category	3G; 3D

**Compliance with standards and directives**

Directive conformity	
Machinery Directive 2006/42/EC	EN ISO 13849-1:2008 ; EN 61496-1:2013
EMC Directive 2004/108/EC	EN 61000-6-4:2007+A1:2011
Standard conformity	
Standards	IEC 61496-2:2013

**Approvals and certificates**

CE conformity	CE
CCC approval	CCC approval / marking not required for products rated ≤36 V
TÜV approval	TÜV

**Equipment protection level Gc (nA)**

Instruction

**Device category 3G (nA)**

ATEX marking  
 Directive conformity  
 Standards  
 Installation, commissioning

Maintenance

**Special conditions**

Maximum permissible ambient temperature  $T_{Umax}$   
 Protection from mechanical danger  
 Protection of overvoltage  
 Protection from UV light  
 Electrostatic charge  
 Other conditions

**Manual electrical apparatus for hazardous areas**

for use in hazardous areas with gas, vapour and mist  
 · II 3 G Ex nAc Op is IIC T4  
 94/9/EG  
 EN 60079-0:2009 , EN 60079-15:2010 , EN 60079-28:2007

Laws and/or regulations and standards governing the use or intended usage goal must be observed. By fitting a suitable external fixture, the connecting cable is secured against the transmission of rotational movements and tensile loading on the connections. After opening the enclosure (connection cap) and connecting the wires, but before mounting the connection cap, ensure the seal is correctly fitted and intact. Damaged seals are to be replaced.

No modifications must be undertaken on apparatus, which is operated in hazardous areas. Repairs to such apparatus are not permissible.

55 °C (131 °F)

The cable and wire gland and end caps are to be protected from mechanical shock.

Precautions must be taken to prevent the rated voltage being exceeded by more than 40 % due to transient disturbances.

The sensor must be protected against harmful UV radiation. This can be achieved by using the sensor indoors.

The enclosure is to be grounded with help of the accompanying grounding terminal EC SLC EX via a wire with a cross section of 4 mm<sup>2</sup>.

Do not open or disconnect when energized! By fitting a suitable external fixture, the connecting cable is secured against the transmission of rotational movements and tensile loading on the connections. After opening the enclosure (connection cap) and connecting the wires, but before mounting the connection cap, ensure the seal is correctly fitted and intact. Damaged seals are to be replaced.

**Equipment protection level Dc**

Instruction

Details for use in hazardous areas

ATEX marking  
 Directive conformity  
 Standards  
 Installation, commissioning

Maintenance

**Special conditions**

Protection from mechanical danger  
 Protection of overvoltage  
 Protection from UV light  
 Electrostatic charge

**Manual electrical apparatus for hazardous areas**

Electrical apparatus for potentially explosive atmospheres  
 · II 3 D Ex tc IIIC T90 °C  
 94/9/EG  
 EN 60079-31:2009

Laws and/or regulations and standards governing the use or intended usage goal must be observed. By fitting a suitable external fixture, the connecting cable is secured against the transmission of rotational movements and tensile loading on the connections. After opening the enclosure (connection cap) and connecting the wires, but before mounting the connection cap, ensure the seal is correctly fitted and intact. Damaged seals are to be replaced.

No modifications must be undertaken on apparatus, which is operated in hazardous areas. Repairs to such apparatus are not permissible.

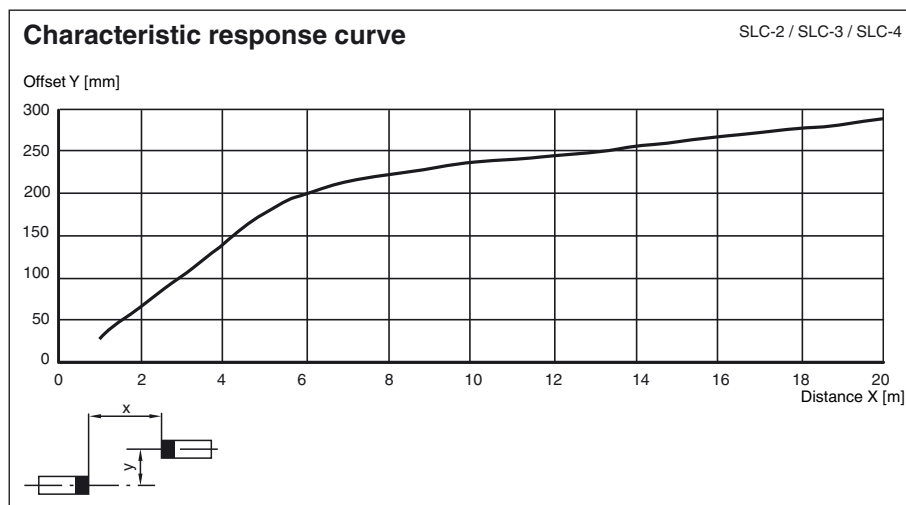
The cable and wire gland and end caps are to be protected from mechanical shock.

Precautions must be taken to prevent the rated voltage being exceeded by more than 40 % due to transient disturbances.

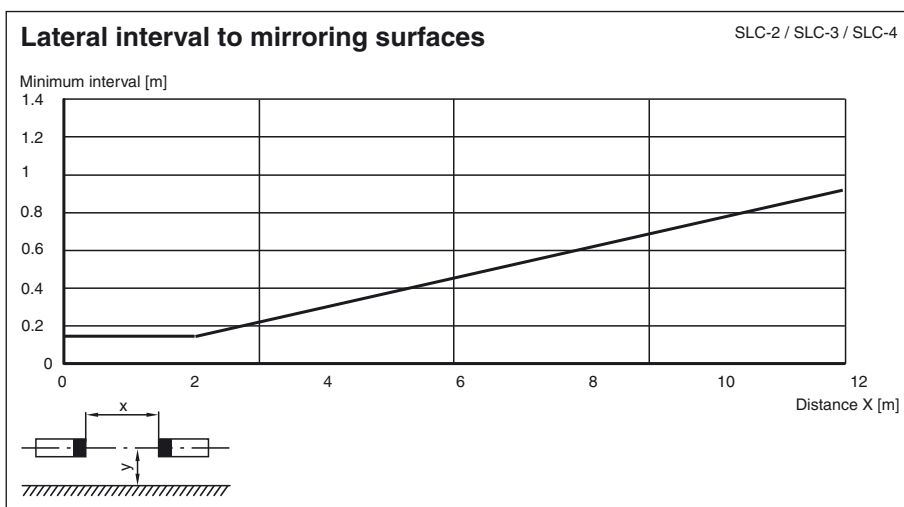
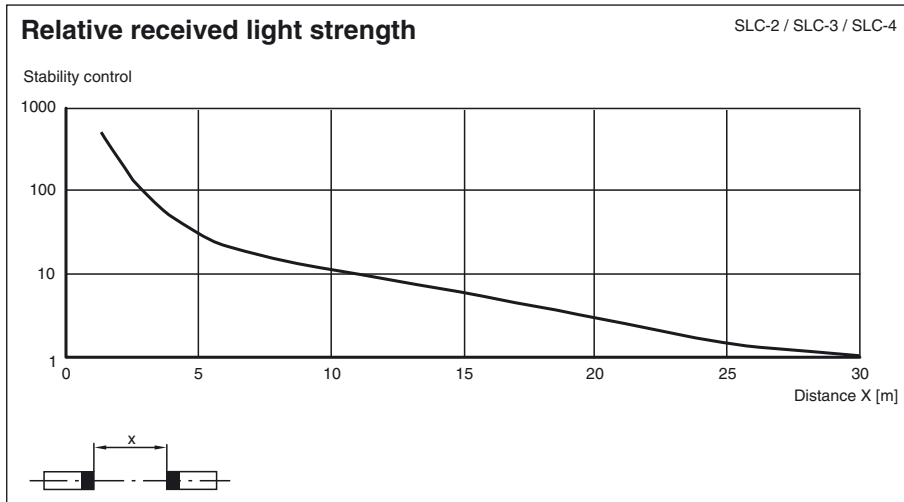
The sensor must be protected against harmful UV radiation. This can be achieved by using the sensor indoors.

The enclosure is to be grounded with help of the accompanying grounding terminal EC SLC EX via a wire with a cross section of 4 mm<sup>2</sup>.

**Curves/Diagrams**

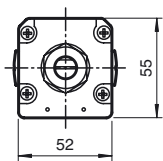


Release date: 2017-02-27 16:25 Date of issue: 2017-02-27 133226\_eng.xml



**Additional information**

**Profile dimensions, front view**



**System accessories**

- Mounting set SLC
- Protective glass pieces for SLC (to protect the optically functional surface)
- Lateral screwed connection SLC
- Mirror 2, 3 or 4-beam for SLC (for multi-side securing of hazardous areas)
- Laser alignment aid BA SLC
- Profile alignment aid PA SLP/SLC
- Ground pillar UC SLP/SLC
- Housing for ground pillar Enclosure UC SLP/SLC
- Collision protector Damping UC SLP/SLC

Release date: 2017-02-27 16:25 Date of issue: 2017-02-27 133226\_eng.xml