

# Universal Fieldbus Power Hub, Motherboard, Generic Interface

## MB-FB-4.GEN



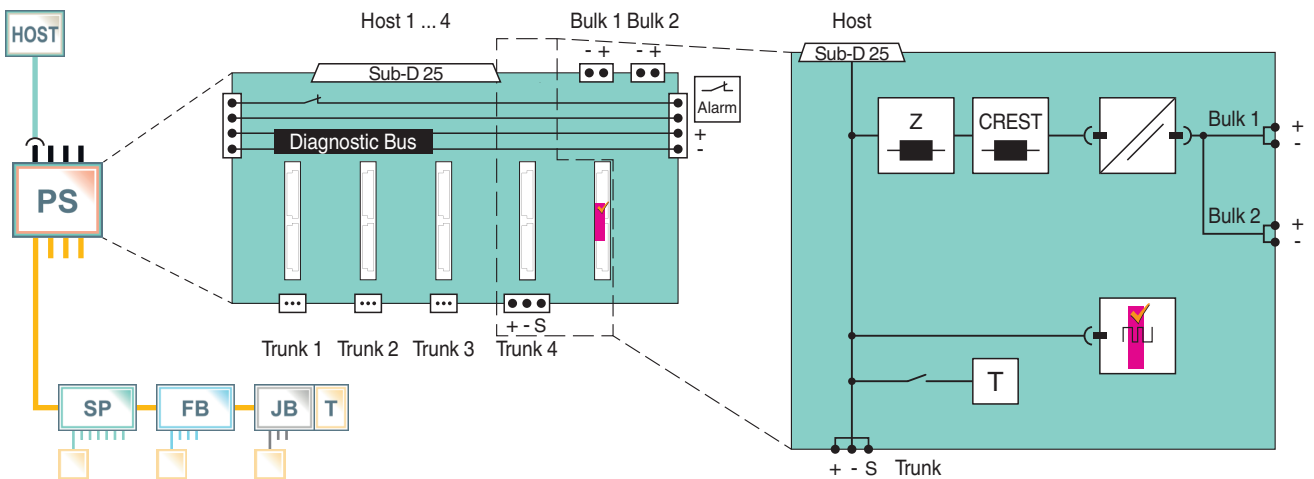
- 4 segments, individual modules per segment
- Customizable for any host system
- High-power trunk: Live work on devices in any hazardous area
- Features for best signal quality, low heat dissipation
- For FOUNDATION Fieldbus H1 and PROFIBUS PA
- Optional advanced diagnostics
- Passive impedance and CREST technology for high reliability
- Supports Ex ic/nL voltage limitation
- Installation in Zone 2/Div. 2



### Function

The FieldConnex® Universal Power Hub is a modular fieldbus power supply, providing the most options for most reliable communication. It supports explosion protection e.g. the High-Power Trunk for longest cable run and highest device count. The Power Hub supports optional Advanced Diagnostics for fast fieldbus commissioning and online monitoring. The motherboard is the wiring interface and mounting plate with a DB-25 connector for PROFIBUS PA gateway or customizable cable connections to any DCS. Sockets for individual power modules enable simple installation and can be replaced without tools. Certain motherboards enable power redundancy with seamless transfer. Pairs of modules feed each segment. Availability and a long service life are achieved through: only one passive impedance filter per segment with CREST for superior signal transmission, optimized design for low power dissipation and high-availability fieldbus termination. Any mounting direction allows optimized and space-saving cabinet layout.

### Connection



### Technical Data

Supply	
Connection	redundant
Rated voltage	$U_r$ 19.2 ... 35 V SELV/PELV
Rated current	$I_r$ 16 A
Fieldbus connection	
Number of segments	
Simplex	4
Terminating resistor	selectable 100 $\Omega$

Release date: 2022-07-04 Date of issue: 2022-07-04 Filename: 180565\_eng.pdf

Refer to "General Notes Relating to Pepperl+Fuchs Product Information".

Pepperl+Fuchs Group  
www.pepperl-fuchs.com

USA: +1 330 486 0002  
pa-info@us.pepperl-fuchs.com

Germany: +49 621 776 2222  
pa-info@de.pepperl-fuchs.com

Singapore: +65 6779 9091  
pa-info@sg.pepperl-fuchs.com

**PEPPERL+FUCHS**

## Technical Data

<b>Indicators/operating means</b>	
Fault signal	VFC alarm output via connectors
<b>Directive conformity</b>	
Electromagnetic compatibility	
Directive 2014/30/EU	EN 61326-1:2013
<b>Standard conformity</b>	
Galvanic isolation	IEC 62103
Electromagnetic compatibility	NE 21:2011
Degree of protection	IEC 60529
Fieldbus standard	IEC 61158-2
Shock resistance	EN 60068-2-27
Vibration resistance	EN 60068-2-6
Corrosion resistance	acc. to ISA-S71.04-1985, severity level G3
<b>Ambient conditions</b>	
Ambient temperature	-40 ... 60 °C (-40 ... 140 °F)
Storage temperature	-40 ... 85 °C (-40 ... 185 °F)
Relative humidity	< 95 % non-condensing
Shock resistance	15 g , 11 ms
Vibration resistance	1 g , 10 ... 150 Hz
Pollution degree	max. 2, according to IEC 60664
Corrosion resistance	acc. to ISA-S71.04-1985, severity level G3
<b>Mechanical specifications</b>	
Connection type	screw terminals
Core cross section	2.5 mm <sup>2</sup>
Housing material	Polycarbonate
Housing width	125 mm
Housing height	220 mm
Housing depth	65 mm
Degree of protection	IP20
Mass	approx. 850 g
Mounting	DIN mounting rail
Coating	conformal coated
<b>Data for application in connection with hazardous areas</b>	
Certificate	TÜV 04 ATEX 2500 X
Marking	Ⓔ II 3 G Ex nA IIC T4 Gc
Directive conformity	
Directive 2014/34/EU	EN 60079-0:2012 , EN 60079-11:2012 , EN 60079-15:2010
<b>International approvals</b>	
FM approval	CoC 3024816, CoC 3024816C
Approved for	Class I, Division 2, Groups A, B, C, D, T4 / Class I, Zone 2, AEx/Ex nA IIC T4
IECEx approval	IECEx TUN 13.0038X
Approved for	Ex nA IIC T4 Gc
<b>General information</b>	
Supplementary information	Statement of Conformity, Declaration of Conformity, Attestation of Conformity and instructions have to be observed where applicable. For information see <a href="http://www.pepperl-fuchs.com">www.pepperl-fuchs.com</a> .

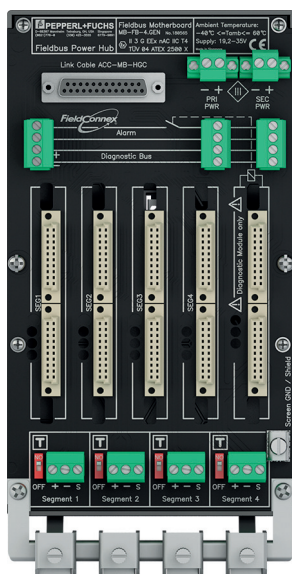
Release date: 2022-07-04 Date of issue: 2022-07-04 Filename: 180565\_eng.pdf

Refer to "General Notes Relating to Pepperl+Fuchs Product Information".




Pepperl+Fuchs Group  
[www.pepperl-fuchs.com](http://www.pepperl-fuchs.com)USA: +1 330 486 0002  
[pa-info@us.pepperl-fuchs.com](mailto:pa-info@us.pepperl-fuchs.com)Germany: +49 621 776 2222  
[pa-info@de.pepperl-fuchs.com](mailto:pa-info@de.pepperl-fuchs.com)Singapore: +65 6779 9091  
[pa-info@sg.pepperl-fuchs.com](mailto:pa-info@sg.pepperl-fuchs.com)

**PEPPERL+FUCHS**

## Assembly



## Matching System Components

	<b>HD2-FBPS-1.23.500</b>	Fieldbus Power Hub, Power Supply Module
	<b>HD2-FBPS-1.17.500</b>	Fieldbus Power Hub, Power Supply Module
	<b>HD2-FBPS-1.500</b>	Fieldbus Power Hub, Power Supply Module

Release date: 2022-07-04 Date of issue: 2022-07-04 Filename: 180565\_eng.pdf

Refer to "General Notes Relating to Pepperl+Fuchs Product Information".

Pepperl+Fuchs Group  
www.pepperl-fuchs.com

USA: +1 330 486 0002  
pa-info@us.pepperl-fuchs.com

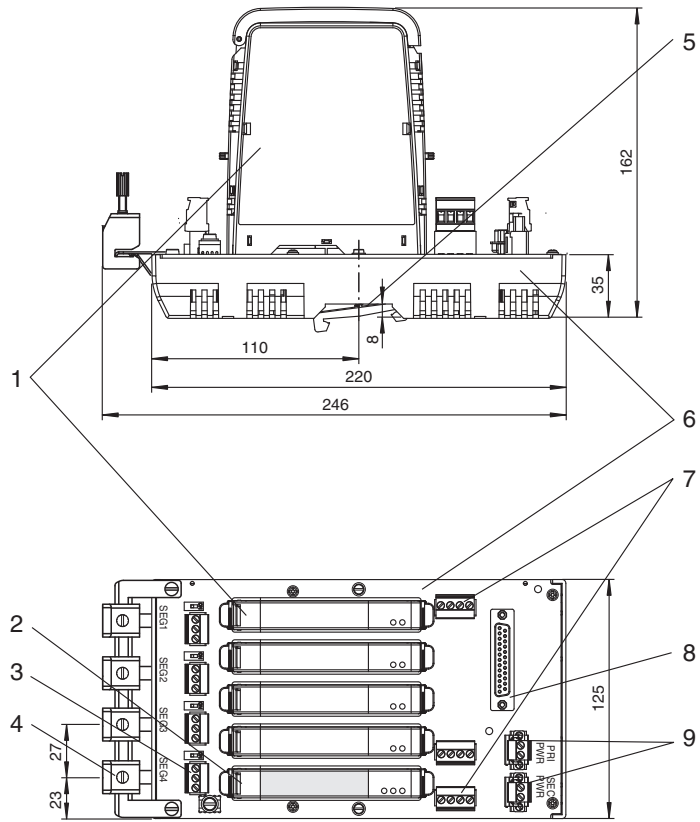
Germany: +49 621 776 2222  
pa-info@de.pepperl-fuchs.com

Singapore: +65 6779 9091  
pa-info@sg.pepperl-fuchs.com

 **PEPPERL+FUCHS**

**Additional Information**

**Dimensions**



**Description:**

- 1 Power Modules, see separate data sheets
- 2 Diagnostic Module, see separate data sheet
- 3 Connections for fieldbus trunk, terminator switch
- 4 Screening/earthing kit for trunk cables shield, optional accessory
- 5 Mounting slot for DIN rail
- 6 Motherboard MB-FB-4.GEN
- 7 Connections for alarm voltage free contact and diagnostics bus  
Diagnostics link cable, optional accessory
- 8 SUB-D Host/Gateway-Interface
- 9 Connections for redundant bulk power supply

**Diagnostic module selection**

The following diagnostic modules are compatible with this motherboard.

Type code	Description
HD2-DM-B	Diagnostic Module, basic version
HD2-DM-A	Diagnostic Module, advanced version
HD2-DM-A.RO	Diagnostic Module, advanced version, relay output

The stationary and mobile Advanced Diagnostic Module (ADM) and related components provide measurement tools for the fieldbus physical layer. The ADM monitors many quality indicating values of the fieldbus physical layer. An expert system, which is included, analyzes the values and issues easy to understand messages indicating cause and remedy. The ADM is recommended for:

- **Faster commissioning and plant start-up:** Installation issues are known and corrected before loop check commences
- **Reliable operation through online monitoring:** The quality of the physical layer and installation is monitored making fieldbus a manageable asset
- **Efficient troubleshooting:** An expert system guides the user through issues and faults in the fieldbus installation

Many other tools are included that enhance fieldbus installation and upkeep. Please see datasheet on HD2-DM-A.

Release date: 2022-07-04 Date of issue: 2022-07-04 Filename: 180565\_eng.pdf

Refer to "General Notes Relating to Pepperl+Fuchs Product Information".

**Connection to DCS**

**PROFIBUS – motherboard / Sub-D cable connection**

PROFIBUS Power Hub Gateway Modules are mounted on a separate motherboard that is connected to the motherboard with the power modules via a Sub-D cable. The Sub-D cable comes with the gateway motherboard.

Type code	Description
Motherboards:	
MB-FB-GT	Gateway Motherboard
MB-FB-GTR	Gateway Motherboard, redundant
Gateway Module:	
HD2-GTR-4.PA	PROFIBUS DP/PA Gateway Module

**Invensys – cable connection**

The motherboard can be connected to Foxboro I/A Series with FBM228 host modules using a dedicated system cable

Type code	Description
ACC-MB-HGC.FOX.010	FieldConnex Power Hub system cable for Foxboro FBM228, length 1 m
ACC-MB-HGC.FOX.020	FieldConnex Power Hub system cable for Foxboro FBM228, length 2 m
ACC-MB-HGC.FOX.030	FieldConnex Power Hub system cable for Foxboro FBM228, length 3 m
ACC-MB-HGC.FOX.050	FieldConnex Power Hub system cable for Foxboro FBM228, length 5 m
ACC-MB-HGC.FOX.100	FieldConnex Power Hub system cable for Foxboro FBM228, length 10 m
ACC-MB-HGC.FOX.150	FieldConnex Power Hub system cable for Foxboro FBM228, length 15 m
ACC-MB-HGC.FOX.200	FieldConnex Power Hub system cable for Foxboro FBM228, length 20 m

**Honeywell – cable connection**

The motherboard can be connected to Honeywell Series C with FIM4/FIM8 host modules using a dedicated system cable.

Type code	Description
ACC-MB-HGC.HON.010	FieldConnex Power Hub system cable for Honeywell C300, length 1 m
ACC-MB-HGC.HON.020	FieldConnex Power Hub system cable for Honeywell C300, length 2 m
ACC-MB-HGC.HON.030	FieldConnex Power Hub system cable for Honeywell C300, length 3 m
ACC-MB-HGC.HON.050	FieldConnex Power Hub system cable for Honeywell C300, length 5 m
ACC-MB-HGC.HON.100	FieldConnex Power Hub system cable for Honeywell C300, length 10 m
ACC-MB-HGC.HON.150	FieldConnex Power Hub system cable for Honeywell C300, length 15 m
ACC-MB-HGC.HON.200	FieldConnex Power Hub system cable for Honeywell C300, length 20 m

Release date: 2022-07-04 Date of issue: 2022-07-04 Filename: 180565\_eng.pdf