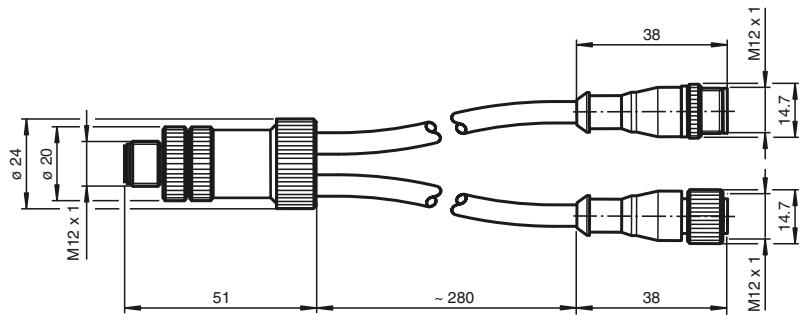




**Dimensions**



**Model Number**

**ICZ-3T-0,2M-PUR ABG-V15B-G**

Y- Connection cable for PROFIBUS

**Features**

- Replacement of devices without bus interruption possible
- Identification sleeves
- Screen put on the slotted nut and Pin 5
- Data transmission up to 12 MBaud

**Technical data**

**General specifications**

Number of poles	2 + 1 x screen
Transfer rate	max. 12 MBit/s

**Ambient conditions**

Ambient temperature	-40 ... 85 °C (233 ... 358 K)
---------------------	-------------------------------

**Mechanical specifications**

Protection degree	IP65
Connection	M12 connector/socket, 4-pin, B-coded for PROFIBUS
Material	
Contacts	CuZn, gold-plated
Handle	PUR / PA 66
Cable	PUR
Slotted nut	CuZn, nickel-plated
Cable	
Sheath diameter	Ø 8 mm
Colour	violet
Cores	2 x 0.64 mm <sup>2</sup>
Length	L approx. 28 cm
Mass	approx. 90 g

**Electrical connection**

