

RFID Transponder

IPC03-50P

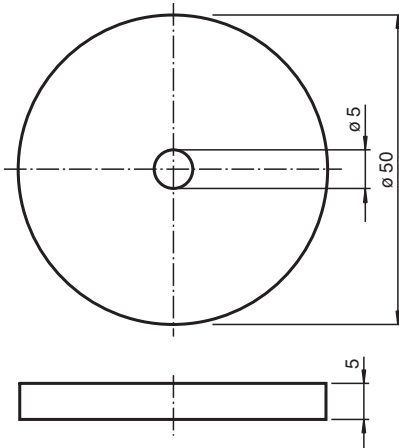


- Battery-free data carrier
- 32 bit fixcode
- 928 bits memory available
- Readable and writable from both sides
- Mounting holes for simple installation
- Degree of protection IP67 / IP68

Data carrier



Dimensions



Technical Data

General specifications

Operating frequency	125 kHz
Transfer rate	2 kBit/s

Memory

Chip Type	EM4450 Titan (EM Microelectronic)
EEPROM	928 Bit
Read cycles	unlimited
Write cycles	> 100000
Data retention period	10 years at 55 °C (131 °F)

Directive conformity

Radio equipment	
Directive 2014/53/EU	EN 300330
RoHS	
Directive 2011/65/EU (RoHS)	IEC/EN 63000

Standard conformity

Degree of protection	EN 60529
RFID	ISO/IEC 18000-2

Ambient conditions

Release date: 2025-07-28 Date of issue: 2025-07-28 Filename: 181531_eng.pdf

Refer to "General Notes Relating to Pepperl+Fuchs Product Information".

Pepperl+Fuchs Group
www.pepperl-fuchs.com

USA: +1 330 486 0001
fa-info@us.pepperl-fuchs.com

Germany: +49 621 776 1111
fa-info@de.pepperl-fuchs.com

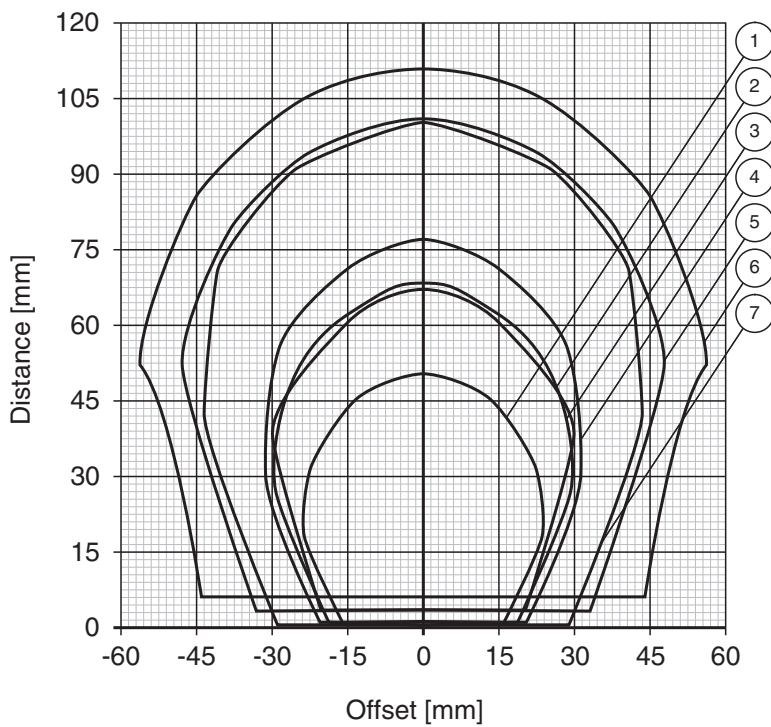
Singapore: +65 6779 9091
fa-info@sg.pepperl-fuchs.com

 PEPPERL+FUCHS

Technical Data

Ambient temperature	-25 ... 70 °C (-13 ... 158 °F)
Storage temperature	-40 ... 90 °C (-40 ... 194 °F)
Mechanical specifications	
Degree of protection	IP67 / IP68
Material	
Housing	PC (Polycarbonate)
Encapsulation compound	Epoxy
Installation	
On metal	yes
In air	yes
Dimensions	
Height	5 mm
Height tolerance	± 0.5 mm
Diameter	50 mm
Diameter tolerance	± 1 mm
Construction type	Cylindrical

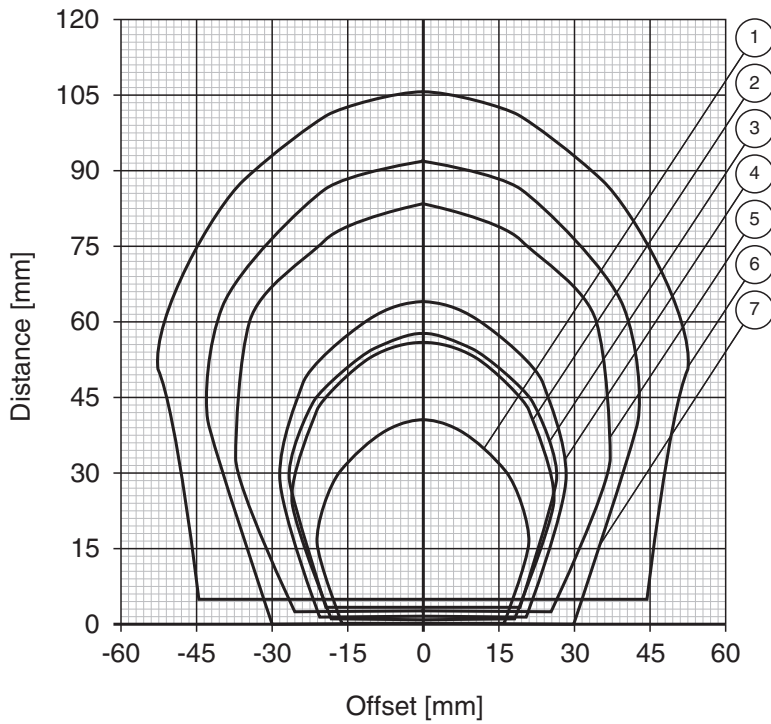
Reading range in air IPC03-50P



Release date: 2025-07-28 Date of issue: 2025-07-28 Filename: 181531_eng.pdf

Refer to "General Notes Relating to Pepperl+Fuchs Product Information".

Writing range in air IPC03-50P



- | | | | |
|---------------|-------------|--------------|--------------|
| ① IPH-18GM-V1 | ③ IPH-F61 | ⑤ IPH-FP-V1 | ⑦ IPT1-FP-V1 |
| ② IPH-30GM-V1 | ④ IPH-L2-V1 | ⑥ IPH-F15-V1 | |

Release date: 2025-07-28 Date of issue: 2025-07-28 Filename: 181531_eng.pdf

Application

The transponder can be read and written from either side.

Release date: 2025-07-28 Date of issue: 2025-07-28 Filename: 181531_eng.pdf

Refer to "General Notes Relating to Pepperl+Fuchs Product Information".

Pepperl+Fuchs Group
www.pepperl-fuchs.com

USA: +1 330 486 0001
fa-info@us.pepperl-fuchs.com

Germany: +49 621 776 1111
fa-info@de.pepperl-fuchs.com

Singapore: +65 6779 9091
fa-info@sg.pepperl-fuchs.com

 **PEPPERL+FUCHS**