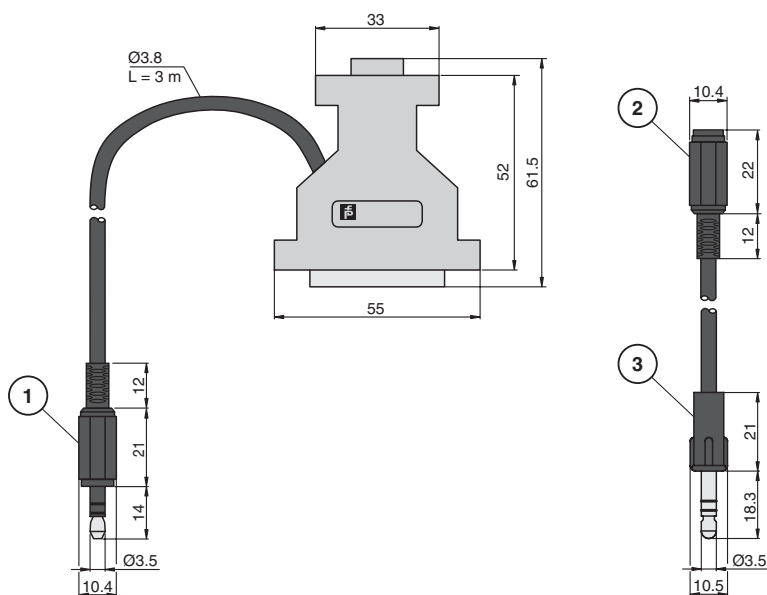




## Dimensions



## Features

- Isolated RS 232 interface cable
- Used with K-, E- and H-System devices
- Used with **PACTware**<sup>TM</sup>

## Accessories

The interface adapter can be operated also via an USB interface.

This USB interface is available from Wiesemann & Theis GmbH, Wuppertal (internet: [www.wut.de](http://www.wut.de)).

## Technical data

### Electrical specifications

Electrical isolation	functional insulation acc. to IEC 62103, rated insulation voltage 50 V <sub>eff</sub>
----------------------	---------------------------------------------------------------------------------------

### Ambient conditions

Ambient temperature	-20 ... 60 °C (-4 ... 140 °F)
---------------------	-------------------------------

### Mechanical specifications

Connection	to the PC: 9-pin and 25-pin to the device: connector 3.5 mm and 3.55 mm
------------	----------------------------------------------------------------------------

### Cable

Length	L	3 m
--------	---	-----

## Function

The K-ADP1 is an interface adapter that connects the serial interface of a PC/notebook for the PACTware<sup>TM</sup> configuration software and can be used to program K-, H-, and E-System barriers via the programming socket on the front panel of these barriers.

As K-, E- and H-System devices have formerly been equipped with programming sockets with different standard dimensions (3.55 mm x 18.3 mm, see drawing, pos. 3 – newer devices 3.5 mm x 14 mm, pos. 1), an adapter (pos. 2) for the parameterisation of all devices is attached to K-ADP1.

The 18.3 mm version can still be used for urgent service assignments. However, the user must be aware of the fact that the plug protrudes from new units by approx. 4 mm. Extensive pushing of the plug may lead to damage on units.

For information about programming and software, refer to [www.pepperl-fuchs.com](http://www.pepperl-fuchs.com).