



Model Number

ML6-8-H-60-RT/59/115/136

Background suppression sensor with 2 m fixed cable

Features

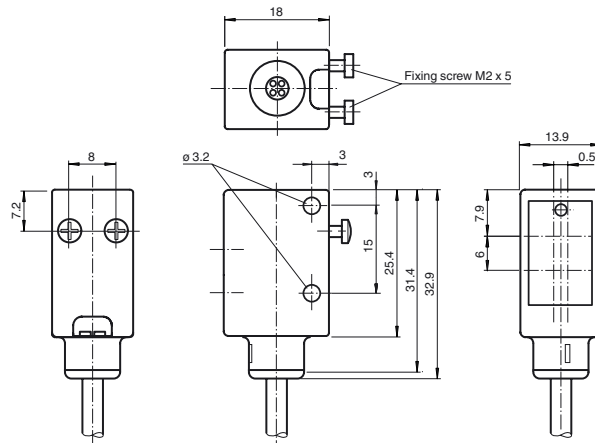
- Precise background suppression
- Very small black-white difference
- Small, sharp light spot
- Highly visible LEDs for Power-On, switching status, short-circuit, and undervoltage
- Metal-reinforced fastening holes
- Tamper-proof version with no adjustments
- Push-pull output

Product information

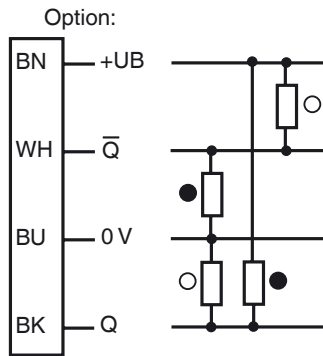
The ML6 series is characterized by a robust, powerful and standard design in a miniature housing. The housing offers IP67/IP69K degree of protection, a food-grade lens, highly visible LEDs and robust all-metal bushings for mounting. Adjustable and tamper-proof sensors with a double push-pull output are available. The sensors have a high ambient light limit. Reflections from the background are suppressed. The unusually small, sharp light spot and the quick response time offer maximum switching precision on object edges. Clearly visible red light sources facilitates alignment. A high-performance fixed focus background suppressor is a useful feature. The sensors are suitable for precise object detection and open up a wide range of application fields.

Release date: 2019-11-26 15:31 Date of issue: 2019-11-26 182441_eng.xml

Dimensions

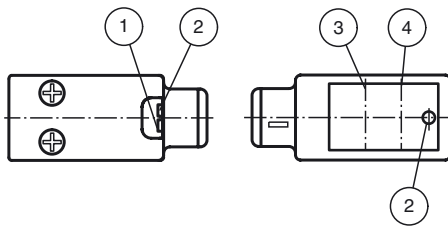


Electrical connection



- = Light on
- = Dark on

Indicators/operating means



1	operating display	green
2	indication of the switching state	yellow
3	receiver axis	
4	emitter axis	

Refer to "General Notes Relating to Pepperl+Fuchs Product Information".

Technical data**General specifications**

Detection range	10 ... 60 mm
Detection range max.	10 ... 80 mm
Background suppression	starts from 80 mm
Light source	LED
Light type	modulated visible red light , 660 nm
Black/White difference (6 %/90 %)	approx. 10 mm
Diameter of the light spot	approx. 4 mm at 60 mm
Angle of divergence	approx. 5 °
Ambient light limit	
Continuous light	40000 Lux
Modulated light	5000 Lux

Functional safety related parameters

MTTF _d	1940 a
Mission Time (T _M)	20 a
Diagnostic Coverage (DC)	0 %

Indicators/operating means

Operation indicator	LED green, statically lit Power on , Undervoltage indicator: Green LED, pulsing (approx. 0.8 Hz) , short-circuit : LED green flashing (approx. 4 Hz)
Function indicator	LED yellow: lights when object is detected

Electrical specifications

Operating voltage	U _B	10 ... 30 V DC
Ripple		10 %
No-load supply current	I ₀	< 25 mA

Output

Switching type	light/dark on, programmable	
Signal output	2 push-pull (4 in 1) outputs, complementary, short-circuit proof, reverse polarity protected	
Switching voltage	max. 30 V DC	
Switching current	max. 100 mA	
Voltage drop	U _d	≤ 2.5 V DC
Switching frequency	f	1000 Hz
Response time		0.5 ms

Conformity

Product standard	EN 60947-5-2
------------------	--------------

Ambient conditions

Ambient temperature	-20 ... 60 °C (-4 ... 140 °F)
Storage temperature	-20 ... 75 °C (-4 ... 167 °F)

Mechanical specifications

Housing width	13.9 mm
Housing height	31.4 mm
Housing depth	18 mm
Degree of protection	IP67 / IP69K
Connection	2 m fixed cable
Material	
Housing	ABS
Optical face	PMMA
Cable	PUR
Mass	approx. 50 g

Compliance with standards and directives

Standard conformity	
Shock and impact resistance	IEC / EN 60068. half-sine, 40 g in each X, Y and Z directions
Vibration resistance	IEC / EN 60068-2-6. Sinus. 10 -150 Hz, 5 g in each X, Y and Z directions

Approvals and certificates

UL approval	cULus Listed
CCC approval	CCC approval / marking not required for products rated ≤36 V

Accessories

OMH-4.1
Mounting Clamp

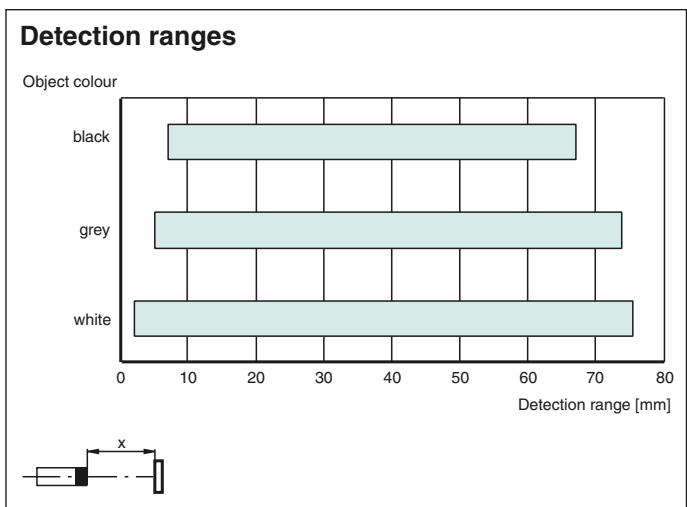
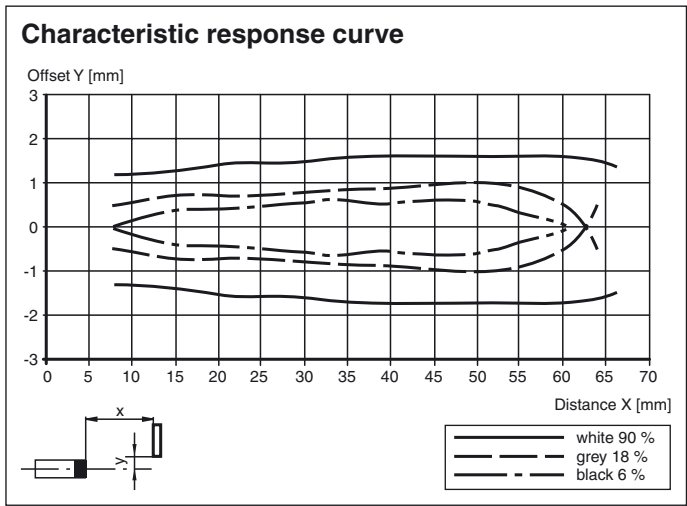
OMH-ML6
Mounting bracket

OMH-ML6-U
Mounting bracket

OMH-ML6-Z
Mounting bracket

Other suitable accessories can be found at www.pepperl-fuchs.com

Curves/Diagrams



Release date: 2019-11-26 15:31 Date of issue: 2019-11-26 182441_eng.xml

Refer to "General Notes Relating to Pepperl+Fuchs Product Information".