



Model Number

CBN8-F64-E1

Features

- 8 mm non-flush
- 3-wire DC
- Flat housing

Technical Data

General specifications

Switching function	Normally closed (NC)
Output type	NPN
Rated operating distance	s_n 8 mm
Installation	non-flush
Output polarity	DC
Assured operating distance	s_a 0 ... 6.48 mm
Output type	3-wire

Nominal ratings

Installation conditions	
B	10 mm
C	20 mm
F	35 mm / 50 mm
Operating voltage	U_B 10.8 ... 30 V DC
Switching frequency	f 0 ... 5 Hz
Hysteresis	H 1 ... 10 typ. 5 %
Reverse polarity protection	reverse polarity protected
Short-circuit protection	pulsing
Voltage drop	U_d ≤ 2 V
Operating current	I_L 0 ... 100 mA
Off-state current	I_r 0 ... 0.01 mA typ.
No-load supply current	I_0 ≤ 16 mA
Switching state indicator	LED, yellow

Functional safety related parameters

MTTF _d	1640 a
Mission Time (T _M)	20 a
Diagnostic Coverage (DC)	0 %

Ambient conditions

Ambient temperature	-25 ... 70 °C (-13 ... 158 °F)
Storage temperature	-25 ... 70 °C (-13 ... 158 °F)

Mechanical specifications

Connection type	cable PVC , 2 m
Core cross-section	0.34 mm ²
Housing material	Crastin (PBTB)
Sensing face	Crastin (PBTB)
Degree of protection	IP67
Tightening torque, housing screws	≤ 2 Nm
Note	Screw-in depth of housing screws, max. 8 mm

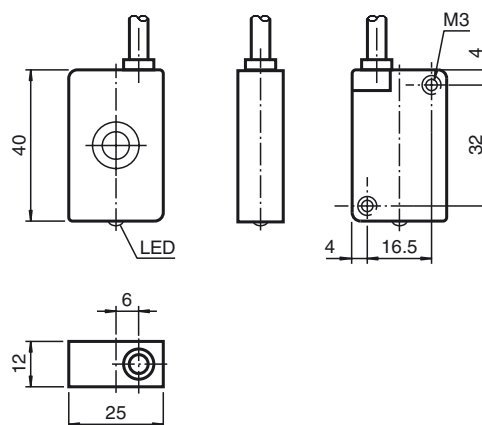
Compliance with standards and directives

Standard conformity	
Standards	EN 60947-5-2:2007 EN 60947-5-2/A1:2012 IEC 60947-5-2:2007 IEC 60947-5-2 AMD 1:2012

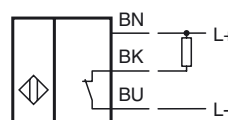
Approvals and certificates

UL approval	cULus Listed, General Purpose
CSA approval	cCSAus Listed, General Purpose
CCC approval	CCC approval / marking not required for products rated ≤ 36 V

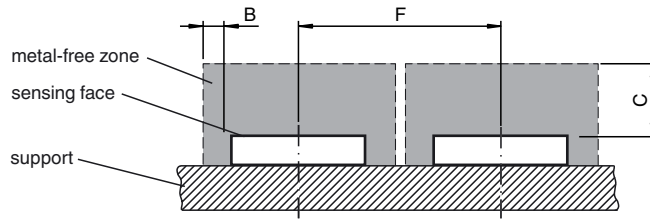
Dimensions



Electrical Connection



Installation Conditions



Release date: 2019-07-09 13:06 Date of issue: 2019-07-09 183178_eng.xml